

Product Discontinuation Notices

November 1, 2011

Temperature Controllers

No. 2011E038

Discontinuation Notice of Temperature Controller E5CSZ series

Product Discontinuation

Temperature Controllers



E5CSZ series

Recommended Replacement

Temperature Controllers



E5CSL/CWL series

Discontinuation date : The end of September 2011

Caution on recommended replacement

E5CSL/CWL does not have AC/DC24V model.
 Thermocouple input model and Platinum resistance thermometer input model are separate model on E5CSL/CWL.
 Alarm output is only on E5CWL.
 Between E5CSZ and E5CSL/CWL series, there are differences of operation method.
 Before using E5CSL/CWL, thoroughly read and understand instruction manual to ensure correct use.

Difference from discontinued product

Model	Body Color	Dimensions	Wire connection	Mounting Dimensions	Characteristics	Operation ratings	Operation methods
E5CSL E5CWL	--	*	*	*	*	--	--

** : Fully compatible

* : The change is a little/Almost compatible

-- : Not compatible

- : No corresponding specification

Product Discontinuation and recommended replacement

Product discontinuation	Recommended replacement
E5CSZ-RT AC100-240	E5CSL-RTC AC100-240
	E5CSL-RP AC100-240
E5CSZ-QT AC100-240	E5CSL-QTC AC100-240
	E5CSL-QP AC100-240
E5CSZ-R1T AC100-240	E5CWL-R1TC AC100-240
	E5CWL-R1P AC100-240
E5CSZ-Q1T AC100-240	E5CWL-Q1TC AC100-240
	E5CWL-Q1P AC100-240
E5CSZ-RTD AC/DC24	E5CSL-RTC AC100-240
	E5CSL-RP AC100-240
E5CSZ-QTD AC/DC24	E5CSL-QTC AC100-240
	E5CSL-QP AC100-240
E5CSZ-R1TD AC/DC24	E5CWL-R1TC AC100-240
	E5CWL-R1P AC100-240
E5CSZ-Q1TD AC/DC24	E5CWL-Q1TC AC100-240
	E5CWL-Q1P AC100-240
E5CSZ-RT-B AC100-240	E5CSL-RTC AC100-240
	E5CSL-RP AC100-240
E5CSZ-QT-B AC100-240	E5CSL-QTC AC100-240
	E5CSL-QP AC100-240
E5CSZ-R1T-B AC100-240	E5CWL-R1TC AC100-240
	E5CWL-R1P AC100-240
E5CSZ-Q1T-B AC100-240	E5CWL-Q1TC AC100-240
	E5CWL-Q1P AC100-240
E5CSZ-RTD-B AC/DC24	E5CSL-RTC AC100-240
	E5CSL-RP AC100-240
E5CSZ-QTD-B AC/DC24	E5CSL-QTC AC100-240
	E5CSL-QP AC100-240
E5CSZ-R1TD-B AC/DC24	E5CWL-R1TC AC100-240
	E5CWL-R1P AC100-240
E5CSZ-Q1TD-B AC/DC24	E5CWL-Q1TC AC100-240
	E5CWL-Q1P AC100-240

Body Color

**Product discontinuation
E5CSZ series**



Light gray



Black

**Recommendable replacement
E5CSL/CWL series**



Silver: (E5CSL)

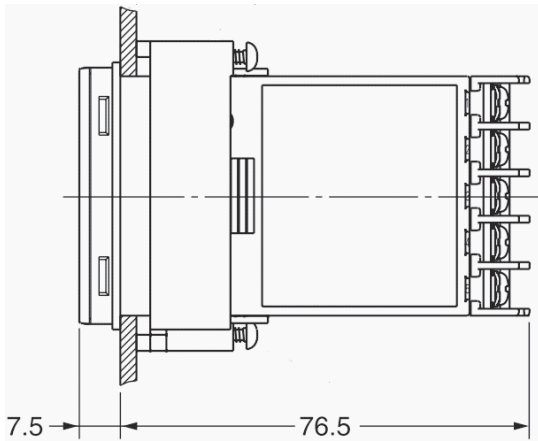
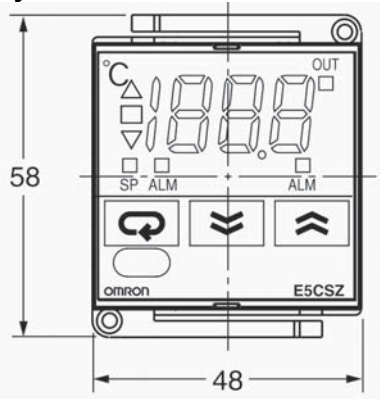


Silver: (E5CWL)

Dimensions

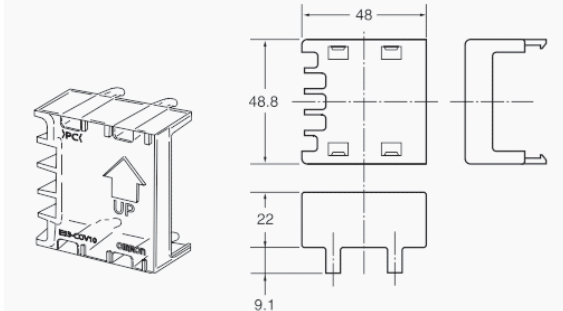
Product discontinuation E5CSZ series

Main Body



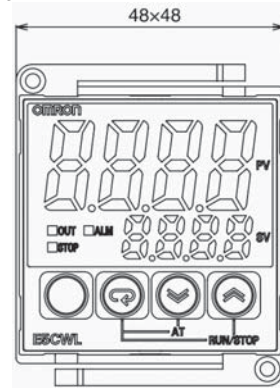
Terminal Cover

E53-COV10

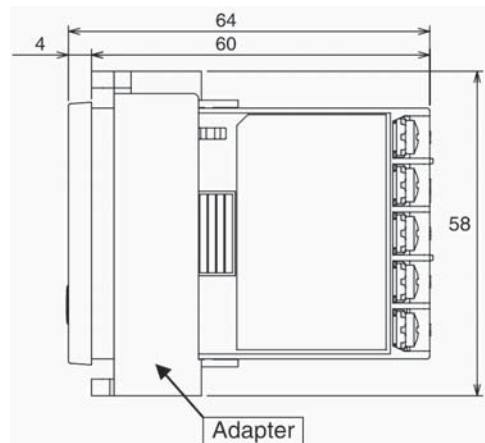


Recommendable replacement E5CSL/CWL series

Main Body

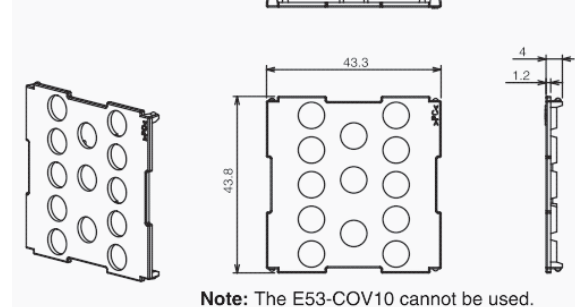


*The dimensions are the same for the E5CSL.



Terminal Cover

E53-COV19



Note: The E53-COV10 cannot be used.

Wire Connection

Product discontinuation E5CSZ series	Recommendable replacement E5CSL/CWL series
<p>Voltage output models</p> <p>Relay output models</p> <p>Alarm output</p> <p>Voltage output 12 VDC, 21 mA</p> <p>Relay output 250 VAC, 3A (resistive load)</p> <p>Alarm output 250 VAC, 1A (resistive load)</p> <p>100 to 240 VAC, 50/60 Hz (24 VAC/VDC) (See note 2.)</p> <p>Platinum resistance thermometer input</p> <p>Thermocouple input</p> <p>Thermocouple/ platinum resistance thermometer multi-input</p>	<p>Voltage output models</p> <p>Relay output models</p> <p>Alarm output</p> <p>Voltage output (for driving SSR) 12 VDC, 21 mA</p> <p>Relay output: 250 VAC, 3 A (resistive load)</p> <p>Alarm Output • Relay output: 250 VAC, 1 A (resistive load)</p> <p>(E5CWL only)</p> <p>Input power supply: 100 to 240 VAC, 50/60 Hz</p> <p>Pt input models</p> <p>TC input models</p> <p>DO NOT USE</p>

Characteristics/Operation Ratings

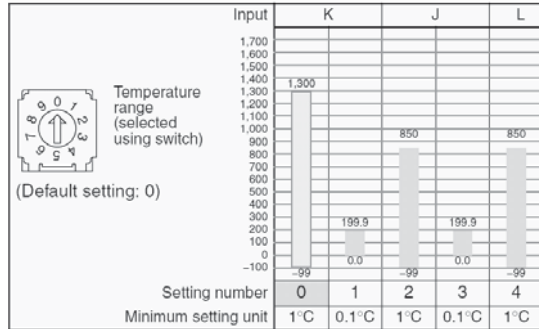
Product discontinuation E5CSZ series	Recommendable replacement E5CSL/CWL series
<p>Input power supply 100 to 240 VAC, 50/60 Hz 24 VDC/VAC, 50/60 Hz</p> <p>Operating voltage range 85% to 110% of rated supply voltage</p> <p>Power consumption 5VA (100 to 240 VAC model) 2W/3VA (24 VDC/VAC Model)</p> <p>Accuracy Indication accuracy - Thermocouple: (±0.5% of indicated value or ±1°C, whichever is greater) ±1 digit max. - Platinum resistance thermometer (±0.5% of indicated value or ±1°C, whichever is greater) ±1 digit max.</p>	<p>Input power supply 100 to 240 VAC, 50/60 Hz</p> <p>Operating voltage range 85% to 110% of rated supply voltage</p> <p>Power consumption 3.5VA</p> <p>Accuracy Indication accuracy - Thermocouple: (±0.5% of indicated value or ±1°C, whichever is greater) ±1 digit max. - Platinum resistance thermometer (±0.5% of indicated value or ±1°C, whichever is greater) ±1 digit max.</p>

Characteristics/Operation Ratings

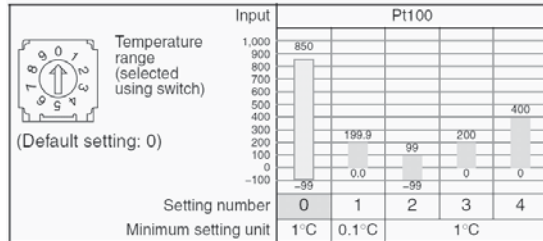
Product discontinuation E5CSZ series

Input range

- Using Thermocouple Sensors, Control Mode Switch 5: OFF



- Using Platinum Resistance Thermometers, Control Mode Switch 5: ON



Output Specifications

- Indication accuracy
- Control output
 - Relay output:
 - SPST-NO, 250 VAC, 3A (resistive load)
 - Voltage output (for driving the SSR)
 - 12 VDC, 21 mA (with short-circuit protection circuit)
- Alarm output
 - Relay output:
 - SPST-NO, 250 VAC, 1A (resistive load)

Control method

ON/OFF or 2-PID (with auto-tuning)

Recommendable replacement E5CSL/CWL series

Input range

Models with Thermocouple Inputs

Model (temperature input)	Set value	Input type	Range	
			°C	°F
TC input	0	K	-200 to 1,300	-300 to 2,300
	1		-20.0 to 500.0	0.0 to 900.0
	2		-100 to 850	-100 to 1500
	3	J	-20.0 to 400.0	0.0 to 750.0
	4		-200 to 400	-300 to 700
	5	T	-199.9 to 400.0	-199.9 to 700.0
	6	R	0 to 1,700	0 to 3,000
7	S	0 to 1,700	0 to 3,000	

Default setting: 0

Applicable standards (K, J, T, R, S): JIS C1602-1995 and IEC 60584-1

Models with Resistance Thermometer Inputs

Model (temperature input)	Set value	Input type	Range	
			°C	°F
Pt input	8	Pt100	-200 to 850	-300 to 1500
	9		-199.9 to 500.0	-199.9 to 900.0

Default setting: 8

Applicable standards (Pt100): JIS C1604-1997 and IEC 60751

Output Specifications

- Indication accuracy
- Control output
 - Relay output:
 - SPST-NO, 250 VAC, 3A (resistive load)
 - Voltage output (for driving the SSR)
 - Output voltage: 12 VDC + 25% / - 15% (PNP), max. load current: 21 mA (with short-circuit protection circuit)
- Alarm output
 - Relay output:
 - SPST-NO, 250 VAC, 1A (resistive load) (E5CWL Only)

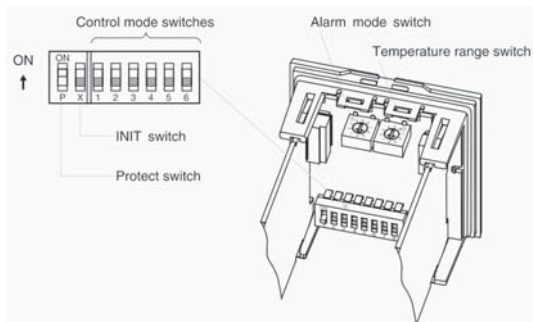
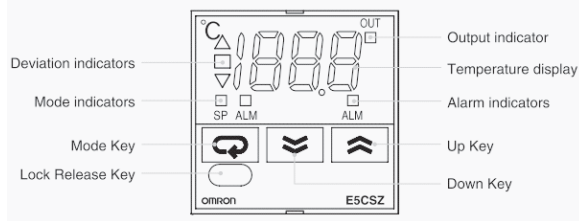
Control method

ON/OFF or 2-PID (with auto-tuning)

Operation methods

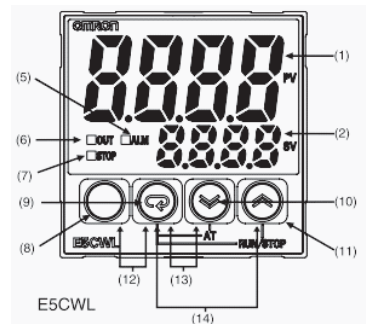
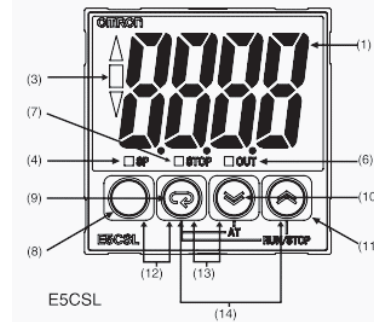
Product discontinuation E5CSZ series

Setting with DIP switch and Rotary switch



Recommendable replacement E5CSL/CWL series

Setting with key



- (1) Display No. 1 Displays the process value (PV) or parameter. For the E5CSL/E5EWL, the set point or parameter setting is also displayed.
- (2) Display No. 2 Displays the set point (SP) or parameter setting.
- (3) Deviation Indicators Show the relation between the process value and the set point.
 ▲ Lit: The process value is more than 5°C/°F higher than the set point.
 ▼ Lit: The process value is more than 5°C/°F lower than the set point.
 ■ Lit: The process value is within 5°C/°F of the set point.
 The relevant deviation indicator will flash during autotuning.
- (4) SP Lit while the set point is displayed on display No. 1 (E5CSL only).
- (5) ALM Lit while the alarm is ON. Not lit while the alarm is OFF.
- (6) OUT Lit while the control output is ON. Not lit while the control output is OFF.
- (7) STOP Not lit during operation. Lit while operation is stopped.
- (8) Level Key: Changes the setting level.
- (9) Mode Key: Changes the parameter within the setting level.
- (10) Down Key: Reduces the setting.
- (11) Up Key: Increases the setting.
- (12) Press these keys for at least 3 seconds in Operation Level or Adjustment Level to go to Protect Level.
 Press these keys for at least 1 second in Protect Level to return to Operation Level.
- (13) Press these keys for at least 2 seconds to start or stop autotuning.
- (14) Press these keys for at least 2 seconds to start or stop operation.

* Please refer to the instruction manual to see the difference of operation details.