

Product Discontinuation Notices

September 1, 2011

Safety Limit Switches

No.2011318E

Discontinuation Notice of part of D4B-[]N series

REQUEST

There was modification in portion of product discontinuation notices of Product News No.2011318E of September 2011 issue.

Please abolish old edition, replace the latest No.2011318E.

Product Discontinuation

Safety Limit Switches



D4B-1[] [] [] N
D4B-3[] [] [] N
D4B-5[] [] [] N
D4B-6[] [] [] N
D4B-7[] [] [] N
D4B-8[] [] [] N

D4B-[]3[] [] N
D4B-[]6[] [] N
D4B-[]B[] [] N

D4B-[] [] 1RN
D4B-[] [] 81N
D4B-[] [] 87N

D4B-[] [] 00N
D4B-00[] [] N
D4B-000[] N

D4B-1112N

Recommended Replacement

Safety Limit Switches

D4B-4[] [] [] N
D4B-4[] [] [] N
D4B-4[] [] [] N
D4B-2[] [] [] N
D4B-4[] [] [] N
D4B-4[] [] [] N

D4B-[]1[] [] N
D4B-[]5[] [] N
D4B-[]A[] [] N

D4B-[] [] 16N

No recommended replacement
No recommended replacement

No recommended replacement
No recommended replacement
No recommended replacement

No recommended replacement

Discontinuation date : The end of March, 2012

Caution on recommended replacement

- Appearance and dimensions are different
- Number of conduit and/or conduit size are different

Difference from discontinued product

Model	Body Color	Dimensions	Wire connection	Mounting Dimensions	Characteristics	Operation ratings	Operation methods
D4B-2□□□N D4B-4□□□N	**	--	**	**	**	**	**
D4B-□1□□N D4B-□5□□N D4B-□A□□N	**	**	**	**	**	**	**
D4B-□□16N	**	--	**	**	**	**	**

** : Fully compatible

* : The change is a little/Almost compatible

-- : Not compatible

- : No corresponding specification

Product Discontinuation and recommended replacement

Product discontinuation	Recommended replacement
D4B-1111N	D4B-4111N
D4B-1115N	D4B-4115N
D4B-1116N	D4B-4116N
D4B-1117N	D4B-4117N
D4B-1170N	D4B-4170N
D4B-1171N	D4B-4171N
D4B-1311N	D4B-4111N
D4B-1315N	D4B-4115N
D4B-1316N	D4B-4116N
D4B-1317N	D4B-4117N
D4B-1370N	D4B-4170N
D4B-1511N	D4B-4511N
D4B-1515N	D4B-4515N
D4B-1516N	D4B-4516N
D4B-1517N	D4B-4517N
D4B-1570N	D4B-4570N
D4B-1571N	D4B-4571N
D4B-1611N	D4B-4511N
D4B-1615N	D4B-4515N
D4B-1616N	D4B-4516N
D4B-1617N	D4B-4517N
D4B-1670N	D4B-4570N
D4B-1671N	D4B-4571N
D4B-1A11N	D4B-4A11N
D4B-1A15N	D4B-4A15N
D4B-1A16N	D4B-4A16N
D4B-1A17N	D4B-4A17N
D4B-1A70N	D4B-4A70N
D4B-1A71N	D4B-4A71N
D4B-1B11N	D4B-4A11N
D4B-1B15N	D4B-4A15N
D4B-1B16N	D4B-4A16N
D4B-1B17N	D4B-4A17N
D4B-1B70N	D4B-4A70N
D4B-1B71N	D4B-4A71N

Product discontinuation	Recommended replacement
D4B-3111N	D4B-4111N
D4B-3115N	D4B-4115N
D4B-3116N	D4B-4116N
D4B-3117N	D4B-4117N
D4B-3170N	D4B-4170N
D4B-3171N	D4B-4171N
D4B-3311N	D4B-4111N
D4B-3315N	D4B-4115N
D4B-3316N	D4B-4116N
D4B-3317N	D4B-4117N
D4B-3370N	D4B-4170N
D4B-3371N	D4B-4171N
D4B-3511N	D4B-4511N
D4B-3515N	D4B-4515N
D4B-3516N	D4B-4516N
D4B-3517N	D4B-4517N
D4B-3570N	D4B-4570N
D4B-3571N	D4B-4571N
D4B-3611N	D4B-4511N
D4B-3615N	D4B-4515N
D4B-3616N	D4B-4516N
D4B-3617N	D4B-4517N
D4B-3670N	D4B-4570N
D4B-3671N	D4B-4571N
D4B-3A11N	D4B-4A11N
D4B-3A15N	D4B-4A15N
D4B-3A16N	D4B-4A16N
D4B-3A17N	D4B-4A17N
D4B-3A70N	D4B-4A70N
D4B-3A71N	D4B-4A71N
D4B-3B11N	D4B-4A11N
D4B-3B15N	D4B-4A15N
D4B-3B16N	D4B-4A16N
D4B-3B17N	D4B-4A17N
D4B-3B70N	D4B-4A70N
D4B-3B71N	D4B-4A71N

Product Discontinuation and recommended replacement

Product discontinuation	Recommended replacement
D4B-5111N	D4B-4111N
D4B-5115N	D4B-4115N
D4B-5116N	D4B-4116N
D4B-5117N	D4B-4117N
D4B-5170N	D4B-4170N
D4B-5171N	D4B-4171N
D4B-5311N	D4B-4111N
D4B-5315N	D4B-4115N
D4B-5316N	D4B-4116N
D4B-5317N	D4B-4117N
D4B-5370N	D4B-4170N
D4B-5371N	D4B-4171N
D4B-5511N	D4B-4511N
D4B-5515N	D4B-4515N
D4B-5516N	D4B-4516N
D4B-5517N	D4B-4517N
D4B-5570N	D4B-4570N
D4B-5571N	D4B-4571N
D4B-5611N	D4B-4511N
D4B-5615N	D4B-4515N
D4B-5616N	D4B-4516N
D4B-5617N	D4B-4517N
D4B-5670N	D4B-4570N
D4B-5671N	D4B-4571N
D4B-5A11N	D4B-4A11N
D4B-5A15N	D4B-4A15N
D4B-5A16N	D4B-4A16N
D4B-5A17N	D4B-4A17N
D4B-5A70N	D4B-4A70N
D4B-5A71N	D4B-4A71N
D4B-5B11N	D4B-4A11N
D4B-5B15N	D4B-4A15N
D4B-5B16N	D4B-4A16N
D4B-5B17N	D4B-4A17N
D4B-5B70N	D4B-4A70N
D4B-5B71N	D4B-4A71N

Product discontinuation	Recommended replacement
D4B-6111N	D4B-2111N
D4B-6115N	D4B-2115N
D4B-6116N	D4B-2116N
D4B-6117N	D4B-2117N
D4B-6170N	D4B-2170N
D4B-6171N	D4B-2171N
D4B-6311N	D4B-2111N
D4B-6315N	D4B-2115N
D4B-6316N	D4B-2116N
D4B-6317N	D4B-2117N
D4B-6370N	D4B-2170N
D4B-6371N	D4B-2171N
D4B-6511N	D4B-2511N
D4B-6515N	D4B-2515N
D4B-6516N	D4B-2516N
D4B-6517N	D4B-2517N
D4B-6570N	D4B-2570N
D4B-6571N	D4B-2571N
D4B-6611N	D4B-2511N
D4B-6615N	D4B-2515N
D4B-6616N	D4B-2516N
D4B-6617N	D4B-2517N
D4B-6670N	D4B-2570N
D4B-6671N	D4B-2571N
D4B-6A11N	D4B-2A11N
D4B-6A15N	D4B-2A15N
D4B-6A16N	D4B-2A16N
D4B-6A17N	D4B-2A17N
D4B-6A70N	D4B-2A70N
D4B-6A71N	D4B-2A71N
D4B-6B11N	D4B-2A11N
D4B-6B15N	D4B-2A15N
D4B-6B16N	D4B-2A16N
D4B-6B17N	D4B-2A17N
D4B-6B70N	D4B-2A70N
D4B-6B71N	D4B-2A71N

Product Discontinuation and recommended replacement

Product discontinuation	Recommended replacement
D4B-7111N	D4B-4111N
D4B-7115N	D4B-4115N
D4B-7116N	D4B-4116N
D4B-7117N	D4B-4117N
D4B-7170N	D4B-4170N
D4B-7171N	D4B-4171N
D4B-7311N	D4B-4111N
D4B-7315N	D4B-4115N
D4B-7316N	D4B-4116N
D4B-7317N	D4B-4117N
D4B-7370N	D4B-4170N
D4B-7371N	D4B-4171N
D4B-7511N	D4B-4511N
D4B-7515N	D4B-4515N
D4B-7516N	D4B-4516N
D4B-7517N	D4B-4517N
D4B-7570N	D4B-4570N
D4B-7571N	D4B-4571N
D4B-7611N	D4B-4511N
D4B-7615N	D4B-4515N
D4B-7616N	D4B-4516N
D4B-7617N	D4B-4517N
D4B-7670N	D4B-4570N
D4B-7671N	D4B-4571N
D4B-7A11N	D4B-4A11N
D4B-7A15N	D4B-4A15N
D4B-7A16N	D4B-4A16N
D4B-7A17N	D4B-4A17N
D4B-7A70N	D4B-4A70N
D4B-7A71N	D4B-4A71N
D4B-7B11N	D4B-4A11N
D4B-7B15N	D4B-4A15N
D4B-7B16N	D4B-4A16N
D4B-7B17N	D4B-4A17N
D4B-7B70N	D4B-4A70N
D4B-7B71N	D4B-4A71N

Product discontinuation	Recommended replacement
D4B-8111N	D4B-4111N
D4B-8115N	D4B-4115N
D4B-8116N	D4B-4116N
D4B-8117N	D4B-4117N
D4B-8170N	D4B-4170N
D4B-8171N	D4B-4171N
D4B-8311N	D4B-4111N
D4B-8315N	D4B-4115N
D4B-8316N	D4B-4116N
D4B-8317N	D4B-4117N
D4B-8370N	D4B-4170N
D4B-8371N	D4B-4171N
D4B-8511N	D4B-4511N
D4B-8515N	D4B-4515N
D4B-8516N	D4B-4516N
D4B-8517N	D4B-4517N
D4B-8570N	D4B-4570N
D4B-8571N	D4B-4571N
D4B-8611N	D4B-4511N
D4B-8615N	D4B-4515N
D4B-8616N	D4B-4516N
D4B-8617N	D4B-4517N
D4B-8670N	D4B-4570N
D4B-8671N	D4B-4571N
D4B-8A11N	D4B-4A11N
D4B-8A15N	D4B-4A15N
D4B-8A16N	D4B-4A16N
D4B-8A17N	D4B-4A17N
D4B-8A70N	D4B-4A70N
D4B-8A71N	D4B-4A71N
D4B-8B11N	D4B-4A11N
D4B-8B15N	D4B-4A15N
D4B-8B16N	D4B-4A16N
D4B-8B17N	D4B-4A17N
D4B-8B70N	D4B-4A70N
D4B-8B71N	D4B-4A71N

Product Discontinuation and recommended replacement

Product discontinuation	Recommended replacement
D4B-2311N	D4B-2111N
D4B-2315N	D4B-2115N
D4B-2316N	D4B-2116N
D4B-2317N	D4B-2117N
D4B-2370N	D4B-2170N
D4B-2371N	D4B-2171N
D4B-2611N	D4B-2511N
D4B-2615N	D4B-2515N
D4B-2616N	D4B-2516N
D4B-2617N	D4B-2517N
D4B-2670N	D4B-2570N
D4B-2671N	D4B-2571N
D4B-2B11N	D4B-2A11N
D4B-2B15N	D4B-2A15N
D4B-2B16N	D4B-2A16N
D4B-2B17N	D4B-2A17N
D4B-2B70N	D4B-2A70N
D4B-2B71N	D4B-2A71N
D4B-4311N	D4B-4111N
D4B-4315N	D4B-4115N
D4B-4316N	D4B-4116N
D4B-4317N	D4B-4117N
D4B-4370N	D4B-4170N
D4B-4371N	D4B-4171N
D4B-4611N	D4B-4511N
D4B-4615N	D4B-4515N
D4B-4616N	D4B-4516N
D4B-4617N	D4B-4517N
D4B-4670N	D4B-4570N
D4B-4671N	D4B-4571N
D4B-4B11N	D4B-4A11N
D4B-4B15N	D4B-4A15N
D4B-4B16N	D4B-4A16N
D4B-4B17N	D4B-4A17N
D4B-4B70N	D4B-4A70N
D4B-4B71N	D4B-4A71N

Product Discontinuation and recommended replacement

Product discontinuation	Recommended replacement	Product discontinuation	Recommended replacement
D4B-111RN	D4B-4116N	D4B-1181N	No recommended replacement
D4B-131RN	D4B-4116N	D4B-1381N	
D4B-151RN	D4B-4516N	D4B-1581N	
D4B-161RN	D4B-4516N	D4B-1681N	
D4B-1A1RN	D4B-4A16N	D4B-1A81N	
D4B-1B1RN	D4B-4A16N	D4B-1B81N	
D4B-211RN	D4B-2116N	D4B-2181N	
D4B-231RN	D4B-2116N	D4B-2381N	
D4B-251RN	D4B-2516N	D4B-2581N	
D4B-261RN	D4B-2516N	D4B-2681N	
D4B-2A1RN	D4B-2A16N	D4B-2A81N	
D4B-2B1RN	D4B-2A16N	D4B-2B81N	
D4B-311RN	D4B-4116N	D4B-3181N	
D4B-331RN	D4B-4116N	D4B-3381N	
D4B-351RN	D4B-4516N	D4B-3581N	
D4B-361RN	D4B-4516N	D4B-3681N	
D4B-3A1RN	D4B-4A16N	D4B-3A81N	
D4B-3B1RN	D4B-4A16N	D4B-3B81N	
D4B-411RN	D4B-4116N	D4B-4181N	
D4B-431RN	D4B-4116N	D4B-4381N	
D4B-451RN	D4B-4516N	D4B-4581N	
D4B-461RN	D4B-4516N	D4B-4681N	
D4B-4A1RN	D4B-4A16N	D4B-4A81N	
D4B-4B1RN	D4B-4A16N	D4B-4B81N	
D4B-511RN	D4B-4116N	D4B-5181N	
D4B-531RN	D4B-4116N	D4B-5381N	
D4B-551RN	D4B-4516N	D4B-5581N	
D4B-561RN	D4B-4516N	D4B-5681N	
D4B-5A1RN	D4B-4A16N	D4B-5A81N	
D4B-5B1RN	D4B-4A16N	D4B-5B81N	
D4B-611RN	D4B-2116N	D4B-6181N	
D4B-631RN	D4B-2116N	D4B-6381N	
D4B-651RN	D4B-2516N	D4B-6581N	
D4B-661RN	D4B-2516N	D4B-6681N	
D4B-6A1RN	D4B-2A16N	D4B-6A81N	
D4B-6B1RN	D4B-2A16N	D4B-6B81N	
D4B-711RN	D4B-4116N	D4B-7181N	
D4B-731RN	D4B-4116N	D4B-7381N	
D4B-751RN	D4B-4516N	D4B-7581N	
D4B-761RN	D4B-4516N	D4B-7681N	
D4B-7A1RN	D4B-4A16N	D4B-7A81N	
D4B-7B1RN	D4B-4A16N	D4B-7B81N	
D4B-811RN	D4B-4116N	D4B-8181N	
D4B-831RN	D4B-4116N	D4B-8381N	
D4B-851RN	D4B-4516N	D4B-8581N	
D4B-861RN	D4B-4516N	D4B-8681N	
D4B-8A1RN	D4B-4A16N	D4B-8A81N	
D4B-8B1RN	D4B-4A16N	D4B-8B81N	

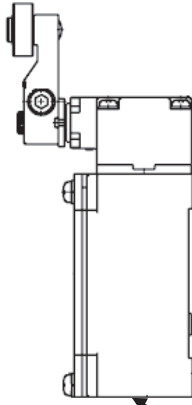
Product Discontinuation and recommended replacement

Product discontinuation	Recommended replacement	Product discontinuation	Recommended replacement
D4B-1187N	No recommended replacement	D4B-1100N	No recommended replacement
D4B-1387N			
D4B-1587N			
D4B-1687N			
D4B-1A87N			
D4B-1B87N			
D4B-2187N			
D4B-2387N			
D4B-2587N			
D4B-2687N			
D4B-2A87N			
D4B-2B87N			
D4B-3187N			
D4B-3387N			
D4B-3587N			
D4B-3687N			
D4B-3A87N			
D4B-3B87N			
D4B-4187N			
D4B-4387N			
D4B-4587N			
D4B-4687N			
D4B-4A87N			
D4B-4B87N			
D4B-5187N			
D4B-5387N			
D4B-5587N			
D4B-5687N			
D4B-5A87N			
D4B-5B87N			
D4B-6187N			
D4B-6387N			
D4B-6587N			
D4B-6687N			
D4B-6A87N			
D4B-6B87N			
D4B-7187N			
D4B-7387N			
D4B-7587N			
D4B-7687N			
D4B-7A87N			
D4B-7B87N			
D4B-8187N			
D4B-8387N			
D4B-8587N			
D4B-8687N			
D4B-8A87N			
D4B-8B87N			
D4B-1500N			
D4B-1A00N			
D4B-2100N			
D4B-2500N			
D4B-2A00N			
D4B-3100N			
D4B-3500N			
D4B-3A00N			
D4B-5100N			
D4B-5500N			
D4B-5A00N			
D4B-6100N			
D4B-6500N			
D4B-6A00N			
D4B-7100N			
D4B-7500N			
D4B-7A00N			
D4B-0010N			
D4B-0070N			
D4B-0071N			
D4B-0081N			
D4B-0087N			
D4B-0001N			
D4B-0005N			
D4B-0006N			
D4B-0007N			
D4B-000RN			
D4B-0100N			
D4B-1112N			

Dimensions

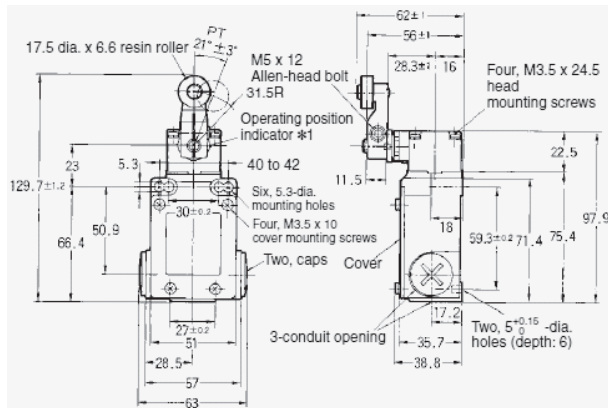
Product discontinuation

Model D4B-1□□□□N, D4B-3□□□□N



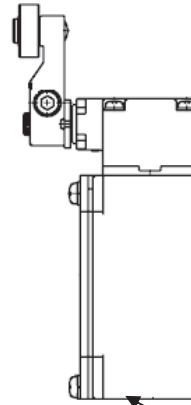
Conduit size:
PG13.5 or 1/2-14NPT

Model D4B-5□□□□N, D4B-6□□□□N,
D4B-7□□□□N, D4B-8□□□□N



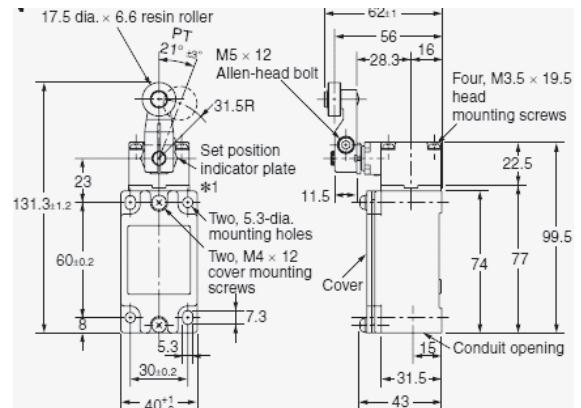
Recommendable replacement

Model D4B-4□□□□N

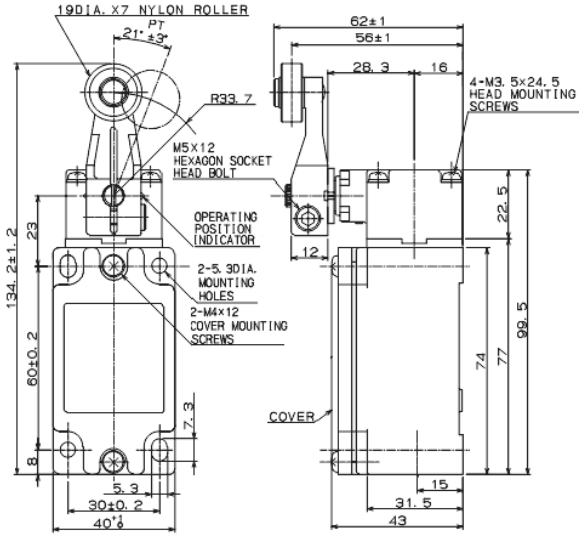
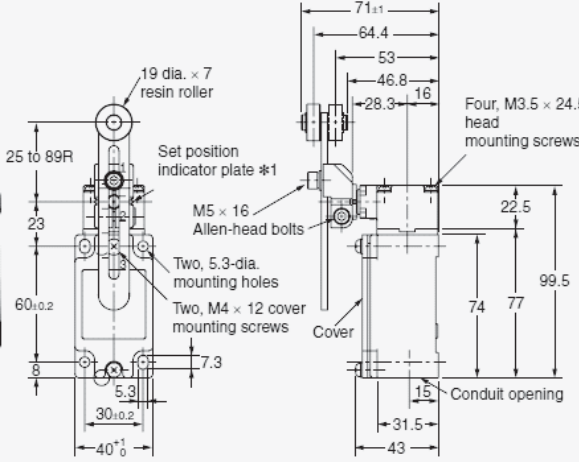


Conduit size: M20

Model D4B-4□□□□N



Dimensions

Product discontinuation	Recommendable replacement
<p data-bbox="244 360 485 389">Model D4B-□□1RN</p>  <p data-bbox="204 421 785 958"> 19DIA. X7 NYLON ROLLER PT $21^{+0.3}$ $R33.7$ M5X12 HEXAGON SOCKET HEAD BOLT OPERATING POSITION INDICATOR 2-5.3DIA. MOUNTING HOLES 2-M4X12 COVER MOUNTING SCREWS COVER 62 ± 1 56 ± 1 28.3 16 4-M3.5X24.5 HEAD MOUNTING SCREWS 22.5 12 74 77 99.5 134.2 ± 1.2 23 8 5.3 30 ± 0.2 $40^{+0.6}$ 7.3 15 31.5 43 </p>	<p data-bbox="890 360 1131 389">Model D4B-□□16N</p>  <p data-bbox="847 421 1428 884"> 19 dia. x 7 resin roller Set position indicator plate *1 M5 x 16 Allen-head bolts Two, 5.3-dia. mounting holes Two, M4 x 12 cover mounting screws COVER Four, M3.5 x 24.5 head mounting screws 71 ± 1 64.4 53 46.8 28.3 16 25 to 89R 23 60 ± 0.2 8 7.3 5.3 30 ± 0.2 $40^{+0.6}$ 22.5 99.5 74 77 Conduit opening 15 31.5 43 </p>

Others

Product discontinuation Model D4B-□3□□N, -□6□□N, -□B□□N	Recommendable replacement Model D4B-□1□□N, -□5□□N, -□A□□N
<p data-bbox="188 1312 534 1375">Contact material: Gold plated silver alloy</p>	<p data-bbox="831 1312 1276 1375">Contact material: Silver alloy without gold plated</p> <p data-bbox="884 1408 1185 1438">* No difference in Rated</p>