

Product Discontinuation Notices

March 1, 2011

Photoelectric Sensors

No. 2011071E

Discontinuation Notice of Fiber amplifier (Volume type) E3XR series

Product Discontinuation

Recommended Replacement



E3XR Series



**E3X-NA series
E3X-DAH series**

Discontinuation date : The end of March, 2012

Caution on recommended replacement

- 1) Sensing distance are changed. Details please refer to characteristics.
- 2) As for E3X-NA series, fiber E32-G14 is needed though the amplifier and the sensor are the single-piece construction in the E3XR-GM5 series.
- 3) Sensitivity adjuster of E3X-DAH11-S is Teaching method.
- 4) Degree of protection of E3XR Series is IP65. But degree of protection of E3X-NA and E3X-DAH11-S is IP50.

Difference from discontinued product

Model	Body Color	Dimensions	Wire connection	Mounting Dimensions	Characteristics	Operation ratings	Operation methods
E3X-NA series E3X-DAH series	--	--	*	*	--	--	*

** : Fully compatible

* : The change is a little/Almost compatible

-- : Not compatible

- : No corresponding specification

Product Discontinuation and recommended replacement

Product discontinuation	Recommended replacement
E3XR-GM5GB4 2M	E3X-NAG41 2M + E32-G14 2M
E3XR-GM5GE4 2M	E3X-NAG11 2M + E32-G14 2M
E3XR-GM5RB4 2M	E3X-NA41 2M + E32-G14 2M
E3XR-GM5RE4 2M	E3X-NA11 2M + E32-G14 2M
E3XR-CE4T-31 2M	E3X-NA11 2M
E3XR-GM5E4-30 2M	E3X-DAH11-S 2M + E32-G14 2M
E3XR-HE4-1 2M	E3X-DAH11-S 2M
E3XR-HE4T-1 2M	E3X-DAH11-S 2M

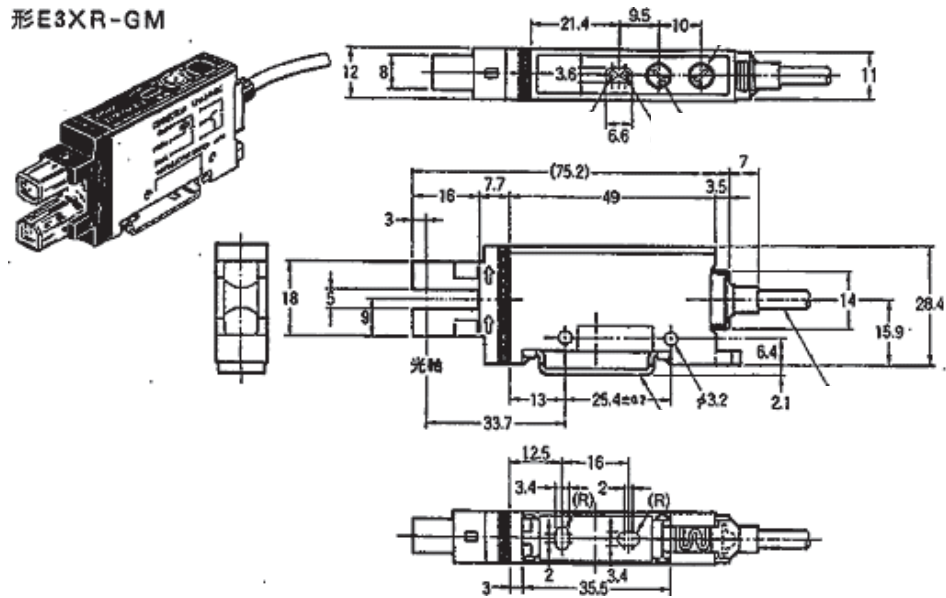
Body color

Product discontinuation E3XR Series	Recommendable replacement E3X-NA series E3X-DAH series
Gray	Black

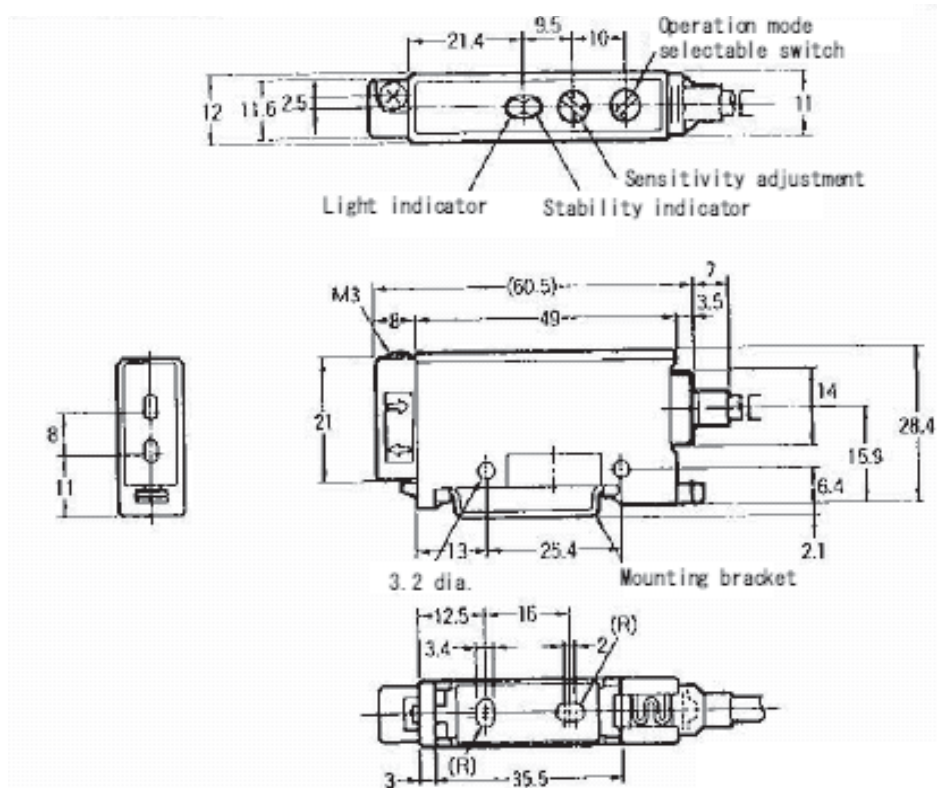
Dimensions

Product discontinuation

Model E3XR-GM5 series



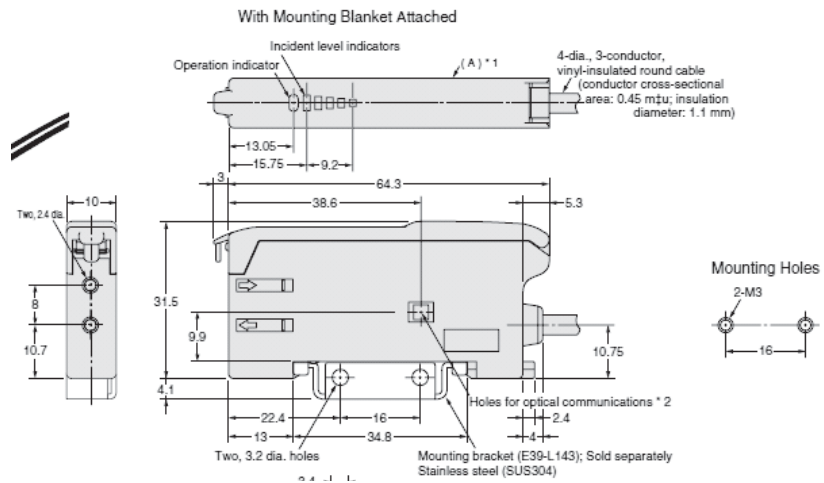
Model E3XR-CE4/HE4 series



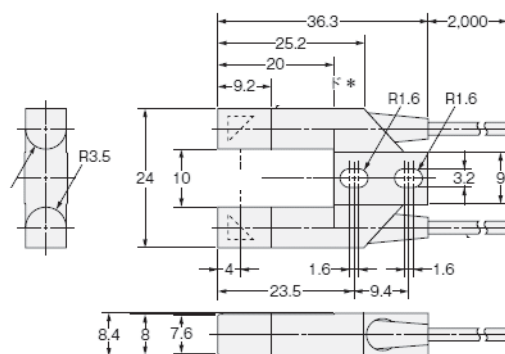
Dimensions

Recommendable replacement

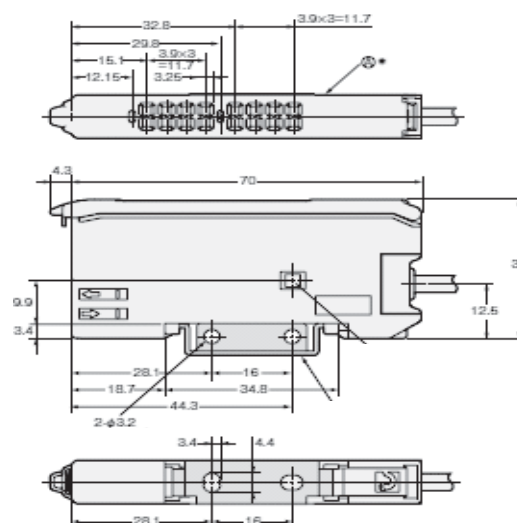
Model E3X-NA□1



Model E32-G14



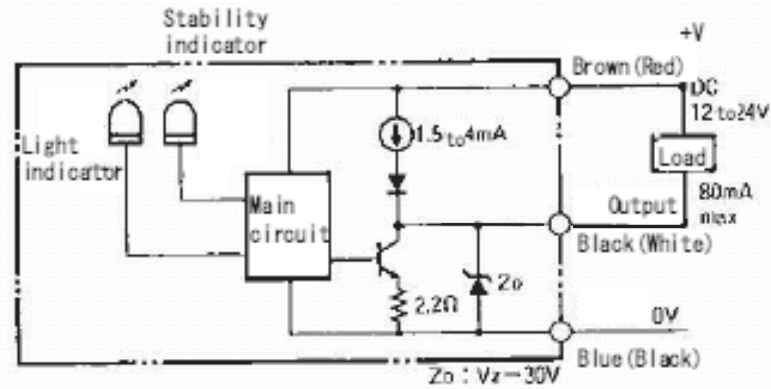
Model E3X-DAH-S series



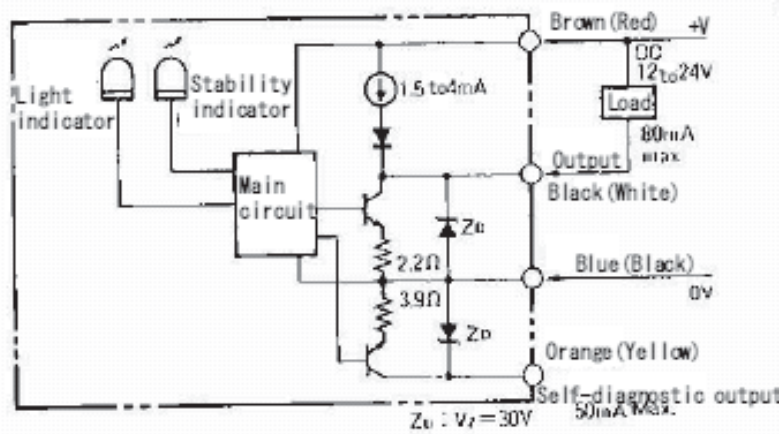
Wire Connection

Product discontinuation

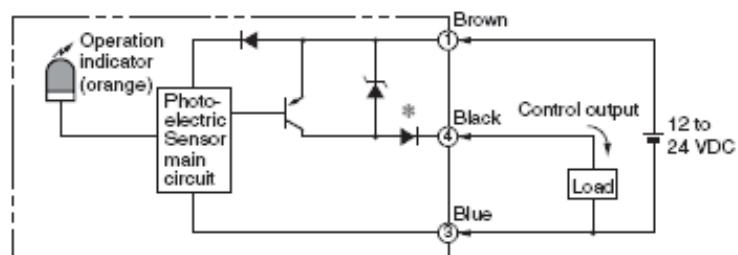
Model E3XR-GM5□E4/HE4



Model E3XR-CE4T



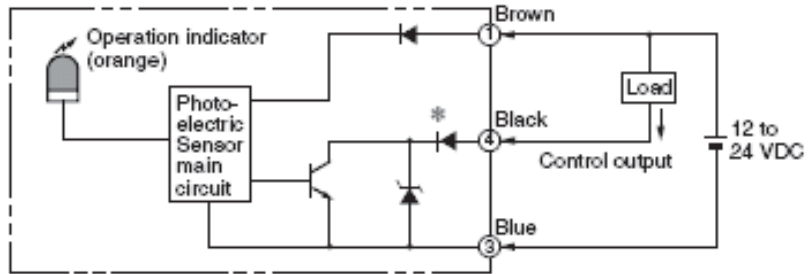
Model E3XR-GM5□B4



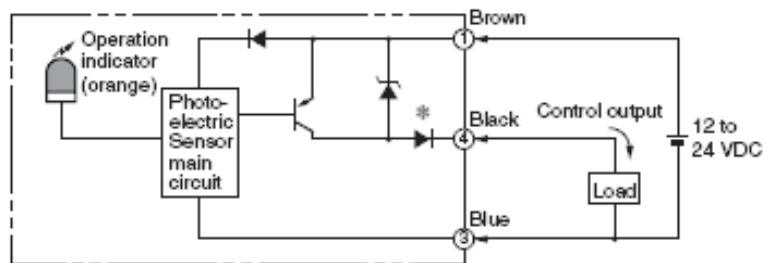
Wire Connection

Recommendable replacement

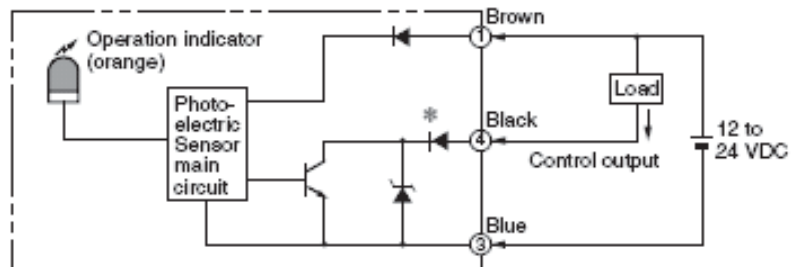
Model E3X-NA1□/NAG1□






Model E3X-NA41□/NAG4□



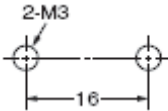
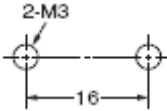
Model E3X-DAH11-S



Indicators

Product discontinuation Model E3X-A Series	Recommendable replacement Model E3X-NA series E3X-DAH11-S series
	<p>E3X-NA series</p>  <p>E3X-DAH11-S series</p> 

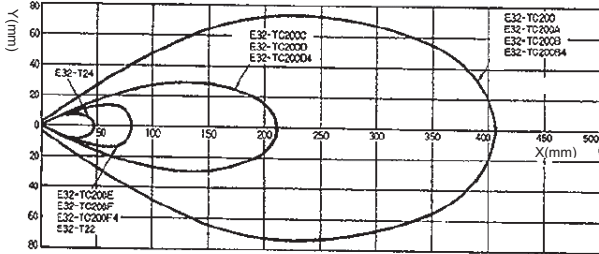
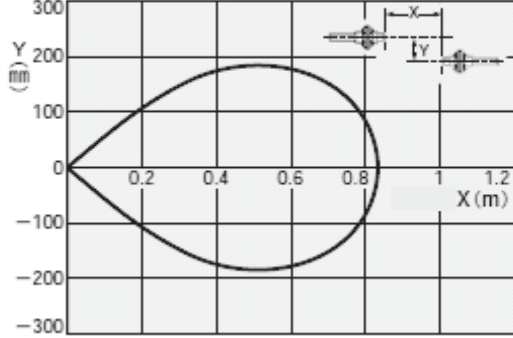
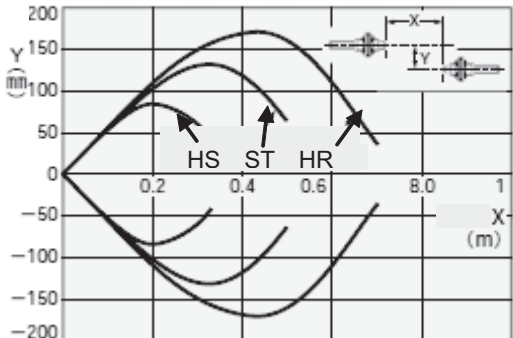
Mounting dimensions

Product discontinuation Model E3X-A Series	Recommendable replacement Model E3X-NA series E3X-DAH11-S series
	

Characteristics

Item	Product discontinuation		Recommendable replacement	
	E3XR-GM5	E3XR-CE/HE	E3X-NA	E3X-DAH11-S
Sensing distance (at E32-DC200)	5mm	50mm	300mm	150mm (Standard mode)
Power supply voltage	12 to 24VDC+10%-10%		12 to 24VDC+10%-10%	
Light source	RE4 : Red LED GE4 : Green LED	CE : Red LED HE : Infrared LED	NA : Red LED NAG : Green LED	Infrared LED
Current consumption	40mA max		960mA max (40mA max)	
Control output	E Type : NPN Transistor output B Type : PNP open collector output Load current : 80mA max. (Residual voltage : 1V max)		NA[]11 : NPN open collector output DAH11 : NPN open collector output NA41 : PNP open collector output Load current : 50mA max. (Residual voltage : 1V max)	
Ambient temperature range	Operating : -25 to 55 °C Storage : -25 to 70 °C		Operating : -25 to 55 °C Storage : -25 to 70 °C	
Circuit protection	Output short-circuit and power supply reverse polarity		Output short-circuit and power supply reverse polarity	
Degree of protection	IEC60529 IP65		IEC60529 IP50	

Operation ratings

Product discontinuation	Recommendable replacement
<p data-bbox="188 360 341 389">E3XR-CE4[]</p> 	<p data-bbox="839 360 1267 389">Model E3X-NA series+E32-TC200</p>  <p data-bbox="839 824 1267 853">Model E3X-DAH11-S +E32-TC200</p> 

Operation methods

Product discontinuation	Recommendable replacement
<p data-bbox="188 1570 635 1630">Sensitivity adjuster: 4-turn endless variable resistor</p>	<p data-bbox="839 1570 1417 1664">Sensitivity adjuster: E3X-NA : 8-turn endless variable resistor E3X-DAH : Teaching method</p>