

Product Discontinuation Notices

Proximity Sensors

Issue Date
July 1, 2014

No. 2014043CE(2)

Discontinuation Notice of Cylinder Sensors E2SS series.

<< REQUEST >>

There was modification in portion of Product Discontinuation notices of Product News No. 2014043CE of March 2014 issue. What we have changed is as follows; Recommended replacement information is shown in this document. Please abolish old edition, replace the latest No. 2014043CE(2).

Product Discontinuation

Cylinder Sensor

Model E2SS-M[]1-[]
Model E2SS-W[]1-[]
Model E2SS-MR[]
Model E2SS-MV[]
Model E2SS-MT[]
Model E2SS-WV1



Recommended Replacement

TURCK

Model BIM-UNT-A[]6X-[]
Model BIM-NST-A[]6X-[]
Model KLRC-UNT[]
Model KLDT-UNT[]
Model KLZ[]-INT
Model KLN3

[Discontinuation date]

The end of March, 2015

[Caution on recommended replacement]

Body color is changed.



OMRON



TURCK

[Difference from discontinued product]

Recommended replacement Model	Body Color	Dimen-sions	Wire connection	Mounting Dimensions	Charact-eristics	Operation ratings
Model BIM-UNT-A[]6X-[]	*1	**	**	**	**	**
Model BIM-NST-A[]6X-[]	**	**	*2	**	**	**
Model KLRC-UNT[]	**	**	**	**	**	**
Model KLDT-UNT[]	**	**	**	**	**	**
Model KLZ[]-INT	**	**	**	**	**	**
Model KLN3	**	**	**	**	**	**

** : Compatible

*1 : Yellow *2 : 4-poles

-- : Not compatible

- : No corresponding specification

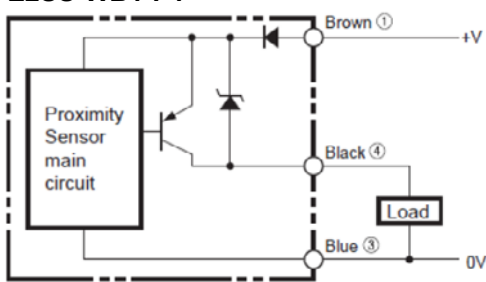
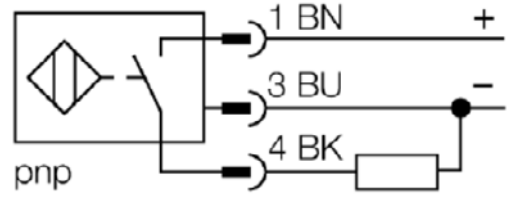
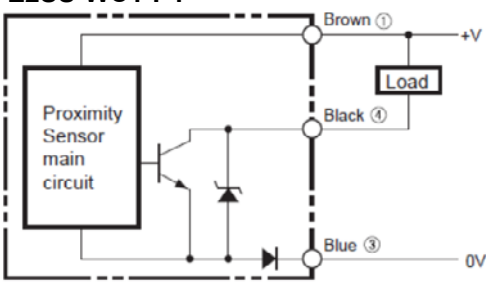
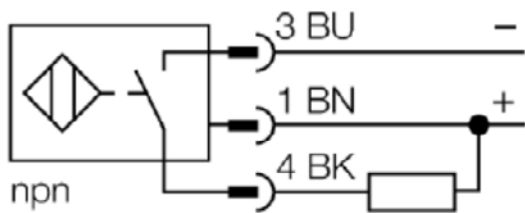
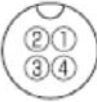
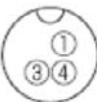
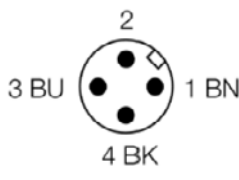
[Product Discontinuation and recommended replacement]

Product discontinuation	Recommended replacement
Model E2SS-MB1 2M	Model BIM-UNT-AP6X
Model E2SS-MB1-M1J 0.3M	Model BIM-UNT-AP6X-0,3-RS4
Model E2SS-MC1 2M	Model BIM-UNT-AN6X
Model E2SS-MC1-M1J 0.3M	Model BIM-UNT-AN6X-0,3-RS4
Model E2SS-WB1-P1	Model BIM-NST-AP6X-H1141/S34
Model E2SS-WC1-P1	Model BIM-NST-AN6X-H1141/S34
Model E2SS-MR1	Model KLRC-UNT1 (8-25mm)
Model E2SS-MR2	Model KLRC-UNT2 (25-63mm)
Model E2SS-MV1	Model KLDT-UNT2 (7mm)
Model E2SS-MV2	Model KLDT-UNT3 (9,4mm)
Model E2SS-MV3	Model KLDT-UNT4 (11,5mm)
Model E2SS-MV4	Model KLDT-UNT5 (12,6mm)
Model E2SS-MT1	Model KLZ1-INT (32-40mm)
Model E2SS-MT2	Model KLZ2-INT (50-63mm)
Model E2SS-MT3	Model KLZ3-INT (80-100mm)
Model E2SS-MT4	Model KLZ5-INT (160-200mm)
Model E2SS-WV1	Model KLN3

[Body color]

Product discontinuation	Recommended replacement
Model E2SS-M[]1-[] : Black	Model BIM-UNT-A[]6X-[] : Yellow
Model E2SS-W[]1-[] : Black	Model BIM-NST-A[]6X-[] : Black
Model E2SS-MR[] : Black	Model KLRC-UNT[] : Black
Model E2SS-MV[] : Black	Model KLDT-UNT[] : Black
Model E2SS-MT[] : Black	Model KLZ[]-INT : Black
Model E2SS-WV1 : Black	Model KLN3 : Black

[Wire connection]

Product discontinuation	Recommendable replacement
<p>Model E2SS-MB1 2M Model E2SS-MB1-M1J 0.3M Model E2SS-WB1-P1</p> 	<p>Model BIM-UNT-AP6X Model BIM-UNT-AP6X-0,3-RS4 Model BIM-NST-AP6X-H1141/S34</p> 
<p>Model E2SS-MC1 2M Model E2SS-MC1-M1J 0.3M Model E2SS-WC1-P1</p> 	<p>Model BIM-UNT-AN6X Model BIM-UNT-AN6X-0,3-RS4 Model BIM-NST-AN6X-H1141/S34</p> 
<p>M1J: </p> <p>Note: Pin 2 is not used.</p> <p>P1: </p>	

[Dimensions]

Product discontinuation	Recommendable replacement																																																																												
<p>Model E2SS-M[]1(-M1J)</p>	<p>Model BIM-UNT-[]</p>																																																																												
<p>Model E2SS-W[]1-P1</p>	<p>Model BIM-NST-[]</p>																																																																												
<p>Model E2SS-MR[] Model E2SS-MT[] Model E2SS-MV[]</p> <table border="1"> <thead> <tr> <th></th> <th>Name</th> <th>Round cylinders</th> <th>Tie-rod cylinders</th> <th>T-groove cylinders</th> <th>Dovetail-groove cylinders</th> </tr> </thead> <tbody> <tr> <td>Cylinder</td> <td>Appearance</td> <td></td> <td></td> <td></td> <td></td> </tr> <tr> <td rowspan="2">Mounting Bracket</td> <td>Model</td> <td>E2SS-MR1</td> <td>E2SS-MT1</td> <td rowspan="2">Model</td> <td>E2SS-MV1</td> </tr> <tr> <td>Cylinder diameter</td> <td>8 to 25 mm dia.</td> <td>32 to 40 mm dia.</td> <td>Groove width</td> <td>7 mm</td> </tr> <tr> <td rowspan="4">Sensor mounted to cylinder</td> <td>Appearance</td> <td></td> <td></td> <td rowspan="4">Not necessary (mounted directly)</td> <td></td> </tr> <tr> <td>Model</td> <td>E2SS-MR2</td> <td>E2SS-MT2</td> <td>E2SS-MV2</td> </tr> <tr> <td>Cylinder diameter</td> <td>25 to 63 mm dia.</td> <td>50 to 63 mm dia.</td> <td>Groove width</td> <td>9.4 mm</td> </tr> <tr> <td>Cylinder diameter</td> <td>-</td> <td>E2SS-MT3</td> <td>80 to 100 mm dia.</td> <td>E2SS-MV3</td> <td>11.5 mm</td> </tr> <tr> <td></td> <td></td> <td>E2SS-MT4</td> <td>160 to 200 mm dia.</td> <td>E2SS-MV4</td> <td>12.6 mm</td> </tr> </tbody> </table> <p><small>*2. The E2SS-MR[] can be mounted to the tubes of some tie-rod cylinders, depending on the shape of the cylinders. *3. When selecting the E2SS-MT[], make sure that the following condition is met for the diameter of tie-rod. E2SS-MT1: 7 mm max., E2SS-MT2: 9 mm max., E2SS-MT3: 11 mm max., and E2SS-MT4: 16 mm max.</small></p>		Name	Round cylinders	Tie-rod cylinders	T-groove cylinders	Dovetail-groove cylinders	Cylinder	Appearance					Mounting Bracket	Model	E2SS-MR1	E2SS-MT1	Model	E2SS-MV1	Cylinder diameter	8 to 25 mm dia.	32 to 40 mm dia.	Groove width	7 mm	Sensor mounted to cylinder	Appearance			Not necessary (mounted directly)		Model	E2SS-MR2	E2SS-MT2	E2SS-MV2	Cylinder diameter	25 to 63 mm dia.	50 to 63 mm dia.	Groove width	9.4 mm	Cylinder diameter	-	E2SS-MT3	80 to 100 mm dia.	E2SS-MV3	11.5 mm			E2SS-MT4	160 to 200 mm dia.	E2SS-MV4	12.6 mm	<p>Model KLRC-[]</p> <table border="1"> <thead> <tr> <th>Part Number</th> <th>Cylinder Diameter</th> </tr> </thead> <tbody> <tr> <td>KLRC-UNT1</td> <td>.315-0.984 in [8-25 mm]</td> </tr> <tr> <td>KLRC-UNT2</td> <td>.984-2.480 in [25-63 mm]</td> </tr> <tr> <td>KLRC-UNT3</td> <td>2.480-5.118 in [63-130 mm]</td> </tr> </tbody> </table> <p>Model KLZ[]</p> <table border="1"> <thead> <tr> <th>Part Number</th> <th>Tie Rod Diameter 'A'</th> </tr> </thead> <tbody> <tr> <td>KLZ1-INT</td> <td>.295 in [7.5 mm]</td> </tr> <tr> <td>KLZ2-INT</td> <td>.374 in [9.5 mm]</td> </tr> <tr> <td>KLZ3-INT</td> <td>.433 in [11.0 mm]</td> </tr> </tbody> </table> <p>Model KLDT-[]</p> <table border="1"> <thead> <tr> <th>Part Number</th> <th>Groove Width 'A'</th> </tr> </thead> <tbody> <tr> <td>KLDT-UNT2</td> <td>.276 in [7.0 mm]</td> </tr> <tr> <td>KLDT-UNT3</td> <td>.370 in [9.4 mm]</td> </tr> <tr> <td>KLDT-UNT4</td> <td>.453 in [11.5 mm]</td> </tr> <tr> <td>KLDT-UNT5</td> <td>.496 in [12.6 mm]</td> </tr> </tbody> </table>	Part Number	Cylinder Diameter	KLRC-UNT1	.315-0.984 in [8-25 mm]	KLRC-UNT2	.984-2.480 in [25-63 mm]	KLRC-UNT3	2.480-5.118 in [63-130 mm]	Part Number	Tie Rod Diameter 'A'	KLZ1-INT	.295 in [7.5 mm]	KLZ2-INT	.374 in [9.5 mm]	KLZ3-INT	.433 in [11.0 mm]	Part Number	Groove Width 'A'	KLDT-UNT2	.276 in [7.0 mm]	KLDT-UNT3	.370 in [9.4 mm]	KLDT-UNT4	.453 in [11.5 mm]	KLDT-UNT5	.496 in [12.6 mm]
	Name	Round cylinders	Tie-rod cylinders	T-groove cylinders	Dovetail-groove cylinders																																																																								
Cylinder	Appearance																																																																												
Mounting Bracket	Model	E2SS-MR1	E2SS-MT1	Model	E2SS-MV1																																																																								
	Cylinder diameter	8 to 25 mm dia.	32 to 40 mm dia.		Groove width	7 mm																																																																							
Sensor mounted to cylinder	Appearance			Not necessary (mounted directly)																																																																									
	Model	E2SS-MR2	E2SS-MT2		E2SS-MV2																																																																								
	Cylinder diameter	25 to 63 mm dia.	50 to 63 mm dia.		Groove width	9.4 mm																																																																							
	Cylinder diameter	-	E2SS-MT3		80 to 100 mm dia.	E2SS-MV3	11.5 mm																																																																						
		E2SS-MT4	160 to 200 mm dia.	E2SS-MV4	12.6 mm																																																																								
Part Number	Cylinder Diameter																																																																												
KLRC-UNT1	.315-0.984 in [8-25 mm]																																																																												
KLRC-UNT2	.984-2.480 in [25-63 mm]																																																																												
KLRC-UNT3	2.480-5.118 in [63-130 mm]																																																																												
Part Number	Tie Rod Diameter 'A'																																																																												
KLZ1-INT	.295 in [7.5 mm]																																																																												
KLZ2-INT	.374 in [9.5 mm]																																																																												
KLZ3-INT	.433 in [11.0 mm]																																																																												
Part Number	Groove Width 'A'																																																																												
KLDT-UNT2	.276 in [7.0 mm]																																																																												
KLDT-UNT3	.370 in [9.4 mm]																																																																												
KLDT-UNT4	.453 in [11.5 mm]																																																																												
KLDT-UNT5	.496 in [12.6 mm]																																																																												
<p>Model E2SS-WV1</p> <table border="1"> <thead> <tr> <th></th> <th>Name</th> <th>T-groove cylinders</th> <th>Dovetail-groove cylinders</th> </tr> </thead> <tbody> <tr> <td>Cylinder</td> <td>Appearance</td> <td></td> <td></td> </tr> <tr> <td rowspan="2">Mounting Bracket</td> <td>Name</td> <td colspan="2">E2SS-WV1</td> </tr> <tr> <td>Appearance</td> <td colspan="2"></td> </tr> <tr> <td rowspan="2">Sensor mounted to cylinder</td> <td></td> <td></td> <td></td> </tr> </tbody> </table>		Name	T-groove cylinders	Dovetail-groove cylinders	Cylinder	Appearance			Mounting Bracket	Name	E2SS-WV1		Appearance			Sensor mounted to cylinder				<p>Model KLN3</p>																																																									
	Name	T-groove cylinders	Dovetail-groove cylinders																																																																										
Cylinder	Appearance																																																																												
Mounting Bracket	Name	E2SS-WV1																																																																											
	Appearance																																																																												
Sensor mounted to cylinder																																																																													

[Characteristics]

Product discontinuation		Recommendable replacement																																																																																																																																																					
Model E2SS-M[] Model E2SS-W[]		Model BIM-UNT-[]																																																																																																																																																					
<table border="1"> <thead> <tr> <th rowspan="2">Item</th> <th rowspan="2">Model</th> <th colspan="2">Standard Models E2SS-M Series</th> <th colspan="2">Magnetic Field Immune Models * E2SS-W Series</th> </tr> <tr> <th>E2SS-MC1(-M1J)</th> <th>E2SS-MB1(-M1J)</th> <th>E2SS-WC1-P1</th> <th>E2SS-WB1-P1</th> </tr> </thead> <tbody> <tr> <td>Power supply voltage</td> <td></td> <td colspan="4">10 to 30 VDC (including ripple (p-p): 10 %)</td> </tr> <tr> <td>Detection sensitivity (magnetic sensitivity)</td> <td></td> <td colspan="4">2.8 mT max.</td> </tr> <tr> <td>Current consumption</td> <td></td> <td colspan="4">15 mA max.</td> </tr> <tr> <td>Hysteresis</td> <td></td> <td colspan="4">1 mm max.</td> </tr> <tr> <td>Repeat accuracy</td> <td></td> <td colspan="4">±0.1 mm max.</td> </tr> <tr> <td>Pass speed</td> <td></td> <td colspan="2">10 m/s max.</td> <td colspan="2">1 m/s max.</td> </tr> <tr> <td>Switching frequency</td> <td></td> <td colspan="2">1 kHz max.</td> <td colspan="2">20 Hz max.</td> </tr> <tr> <td>Control output</td> <td>Switching capacity</td> <td colspan="2">150 mA max.</td> <td colspan="2">100 mA max.</td> </tr> <tr> <td></td> <td>Residual voltage</td> <td colspan="2">2 V max. (Load current: 150 mA, Cable length: 2 m)</td> <td colspan="2">2 V max. (Load current: 100 mA, Cable length: 2 m)</td> </tr> <tr> <td>Indicator</td> <td colspan="5">Operation indicator (yellow)</td> </tr> <tr> <td>Operation mode</td> <td></td> <td>NPN open-collector, NO (normally open)</td> <td>PNP open-collector, NO (normally open)</td> <td>NPN open-collector, NO (normally open)</td> <td>PNP open-collector, NO (normally open)</td> </tr> <tr> <td>Protective circuits</td> <td colspan="5">Power supply reverse polarity protection, output reverse polarity protection, and load short-circuit protection</td> </tr> <tr> <td>Ambient temperature</td> <td colspan="5">Operating/Storage: -25 to 70°C (with no icing or condensation)</td> </tr> <tr> <td>Ambient humidity</td> <td colspan="5">Operating/Storage: 35% to 95% (with no condensation)</td> </tr> <tr> <td>Insulation resistance</td> <td colspan="5">50 MΩ min. (at 500 VDC) between charged parts and case</td> </tr> <tr> <td>Dielectric strength</td> <td colspan="5">500 VAC, 50/60 Hz for 1 min between charged parts and case</td> </tr> <tr> <td>Vibration resistance (endurance)</td> <td colspan="5">10 to 55 Hz with 1.0-mm double amplitude for 2 hours each in X, Y, and Z directions</td> </tr> <tr> <td>Shock resistance (endurance)</td> <td colspan="5">300 m/s² 10 times each in X, Y, and Z directions</td> </tr> <tr> <td>Degree of protection</td> <td colspan="5">IEC 60529 IP67</td> </tr> <tr> <td>Connection method</td> <td></td> <td colspan="2">Blank: Pre-wired (standard cable length: 2 m) -M1J: Pre-wired M12 connector (cable length: 0.3 m)</td> <td colspan="2">M12 connector</td> </tr> <tr> <td>Weight (when packed)</td> <td></td> <td colspan="2">Pre-wired models: Approx. 35 g Pre-wired M12 connector models: Approx. 30 g</td> <td colspan="2">Approx. 25 g</td> </tr> <tr> <td>Materials</td> <td></td> <td colspan="2">Case: PP, Cable: PUR</td> <td colspan="2">Case: PA, Connector: PA</td> </tr> <tr> <td>Accessories</td> <td colspan="5">Instruction Manual, cable clip (one)</td> </tr> </tbody> </table>		Item	Model	Standard Models E2SS-M Series		Magnetic Field Immune Models * E2SS-W Series		E2SS-MC1(-M1J)	E2SS-MB1(-M1J)	E2SS-WC1-P1	E2SS-WB1-P1	Power supply voltage		10 to 30 VDC (including ripple (p-p): 10 %)				Detection sensitivity (magnetic sensitivity)		2.8 mT max.				Current consumption		15 mA max.				Hysteresis		1 mm max.				Repeat accuracy		±0.1 mm max.				Pass speed		10 m/s max.		1 m/s max.		Switching frequency		1 kHz max.		20 Hz max.		Control output	Switching capacity	150 mA max.		100 mA max.			Residual voltage	2 V max. (Load current: 150 mA, Cable length: 2 m)		2 V max. (Load current: 100 mA, Cable length: 2 m)		Indicator	Operation indicator (yellow)					Operation mode		NPN open-collector, NO (normally open)	PNP open-collector, NO (normally open)	NPN open-collector, NO (normally open)	PNP open-collector, NO (normally open)	Protective circuits	Power supply reverse polarity protection, output reverse polarity protection, and load short-circuit protection					Ambient temperature	Operating/Storage: -25 to 70°C (with no icing or condensation)					Ambient humidity	Operating/Storage: 35% to 95% (with no condensation)					Insulation resistance	50 MΩ min. (at 500 VDC) between charged parts and case					Dielectric strength	500 VAC, 50/60 Hz for 1 min between charged parts and case					Vibration resistance (endurance)	10 to 55 Hz with 1.0-mm double amplitude for 2 hours each in X, Y, and Z directions					Shock resistance (endurance)	300 m/s ² 10 times each in X, Y, and Z directions					Degree of protection	IEC 60529 IP67					Connection method		Blank: Pre-wired (standard cable length: 2 m) -M1J: Pre-wired M12 connector (cable length: 0.3 m)		M12 connector		Weight (when packed)		Pre-wired models: Approx. 35 g Pre-wired M12 connector models: Approx. 30 g		Approx. 25 g		Materials		Case: PP, Cable: PUR		Case: PA, Connector: PA		Accessories	Instruction Manual, cable clip (one)					<p>Ambient Temperature: -25° to +70°C (-13° to 158°F)</p> <p>Operating Voltage: 10-30 VDC</p> <p>Ripple V_{pp}: ≤ 10% U_n</p> <p>No-load Current I_0: ≤ 15 mA</p> <p>Off-state Current: ≤ 0.1 mA</p> <p>Switching Frequency: UNT: ≤ 1 kHz; UNR: ≤ 0.3 kHz</p> <p>Rated Operating Current: UNT: DC ≤ 150 mA; UNR: DC ≤ 100 mA</p> <p>Output Function: 3-wire, N.O., PNP/NPN</p> <p>Short-circuit Protection: Yes / Cyclic</p> <p>Voltage Drop I_c: ≤ 1.8 V</p> <p>Vibration Resistance: 55 Hz (1mm)</p> <p>Shock Resistance: 30 g (11 ms)</p> <p>Degree of Protection: IP67</p> <p>Overtravel Speed: UNT: 10 m/s; UNR: 3 m/s</p> <p>Wire-break/ Reverse Polarity Protection: Yes</p> <p>weldguard Protection: Yes, add "/S1589" to part number</p>	
Item	Model			Standard Models E2SS-M Series		Magnetic Field Immune Models * E2SS-W Series																																																																																																																																																	
		E2SS-MC1(-M1J)	E2SS-MB1(-M1J)	E2SS-WC1-P1	E2SS-WB1-P1																																																																																																																																																		
Power supply voltage		10 to 30 VDC (including ripple (p-p): 10 %)																																																																																																																																																					
Detection sensitivity (magnetic sensitivity)		2.8 mT max.																																																																																																																																																					
Current consumption		15 mA max.																																																																																																																																																					
Hysteresis		1 mm max.																																																																																																																																																					
Repeat accuracy		±0.1 mm max.																																																																																																																																																					
Pass speed		10 m/s max.		1 m/s max.																																																																																																																																																			
Switching frequency		1 kHz max.		20 Hz max.																																																																																																																																																			
Control output	Switching capacity	150 mA max.		100 mA max.																																																																																																																																																			
	Residual voltage	2 V max. (Load current: 150 mA, Cable length: 2 m)		2 V max. (Load current: 100 mA, Cable length: 2 m)																																																																																																																																																			
Indicator	Operation indicator (yellow)																																																																																																																																																						
Operation mode		NPN open-collector, NO (normally open)	PNP open-collector, NO (normally open)	NPN open-collector, NO (normally open)	PNP open-collector, NO (normally open)																																																																																																																																																		
Protective circuits	Power supply reverse polarity protection, output reverse polarity protection, and load short-circuit protection																																																																																																																																																						
Ambient temperature	Operating/Storage: -25 to 70°C (with no icing or condensation)																																																																																																																																																						
Ambient humidity	Operating/Storage: 35% to 95% (with no condensation)																																																																																																																																																						
Insulation resistance	50 MΩ min. (at 500 VDC) between charged parts and case																																																																																																																																																						
Dielectric strength	500 VAC, 50/60 Hz for 1 min between charged parts and case																																																																																																																																																						
Vibration resistance (endurance)	10 to 55 Hz with 1.0-mm double amplitude for 2 hours each in X, Y, and Z directions																																																																																																																																																						
Shock resistance (endurance)	300 m/s ² 10 times each in X, Y, and Z directions																																																																																																																																																						
Degree of protection	IEC 60529 IP67																																																																																																																																																						
Connection method		Blank: Pre-wired (standard cable length: 2 m) -M1J: Pre-wired M12 connector (cable length: 0.3 m)		M12 connector																																																																																																																																																			
Weight (when packed)		Pre-wired models: Approx. 35 g Pre-wired M12 connector models: Approx. 30 g		Approx. 25 g																																																																																																																																																			
Materials		Case: PP, Cable: PUR		Case: PA, Connector: PA																																																																																																																																																			
Accessories	Instruction Manual, cable clip (one)																																																																																																																																																						
Model BIM-NST-[]		<p>Pass speed ≤ 1 m/s</p> <p>Repeatability ≥ ± 0.1 mm</p> <p>Temperature drift ≤ 0.1 mm</p> <p>Hysteresis ≤ 1 mm</p> <p>Ambient temperature -25...+70 °C</p> <hr/> <p>Operating voltage 10...30VDC</p> <p>Residual ripple ≤ 10 % U_n</p> <p>DC rated operational current ≤ 200 mA</p> <p>No-load current I_0 ≤ 15 mA</p> <p>Residual current ≤ 0.1 mA</p> <p>Rated insulation voltage ≤ 0.5 kV</p> <p>Short-circuit protection yes/ cyclic</p> <p>Voltage drop at I_c ≤ 1.8 V</p> <p>Wire breakage / Reverse polarity protection yes/ complete</p> <p>Output function 3-wire, NO contact, PNP /</p> <p>Switching frequency 0.015 kHz</p> <hr/> <p>Design rectangular, NST</p> <p>Dimensions 28 x 17 x 14 mm</p> <p>Housing material plastic, PA</p> <p>Material active face Plastic, PA</p>																																																																																																																																																					

Specifications and prices in this product news are as of the issue date and are subject to change without notice. Only main changes in specifications are described in this document. Please be sure to read the relevant catalogs, datasheets, product specifications, instructions, and manuals for precautions and necessary information when using products.