

### Discontinuation Notice of Smart Sensor ZX-SAM13.

**Product Discontinuation**  
Smart Sensor

**Recommended Replacement**



**Model ZX-SAM13**



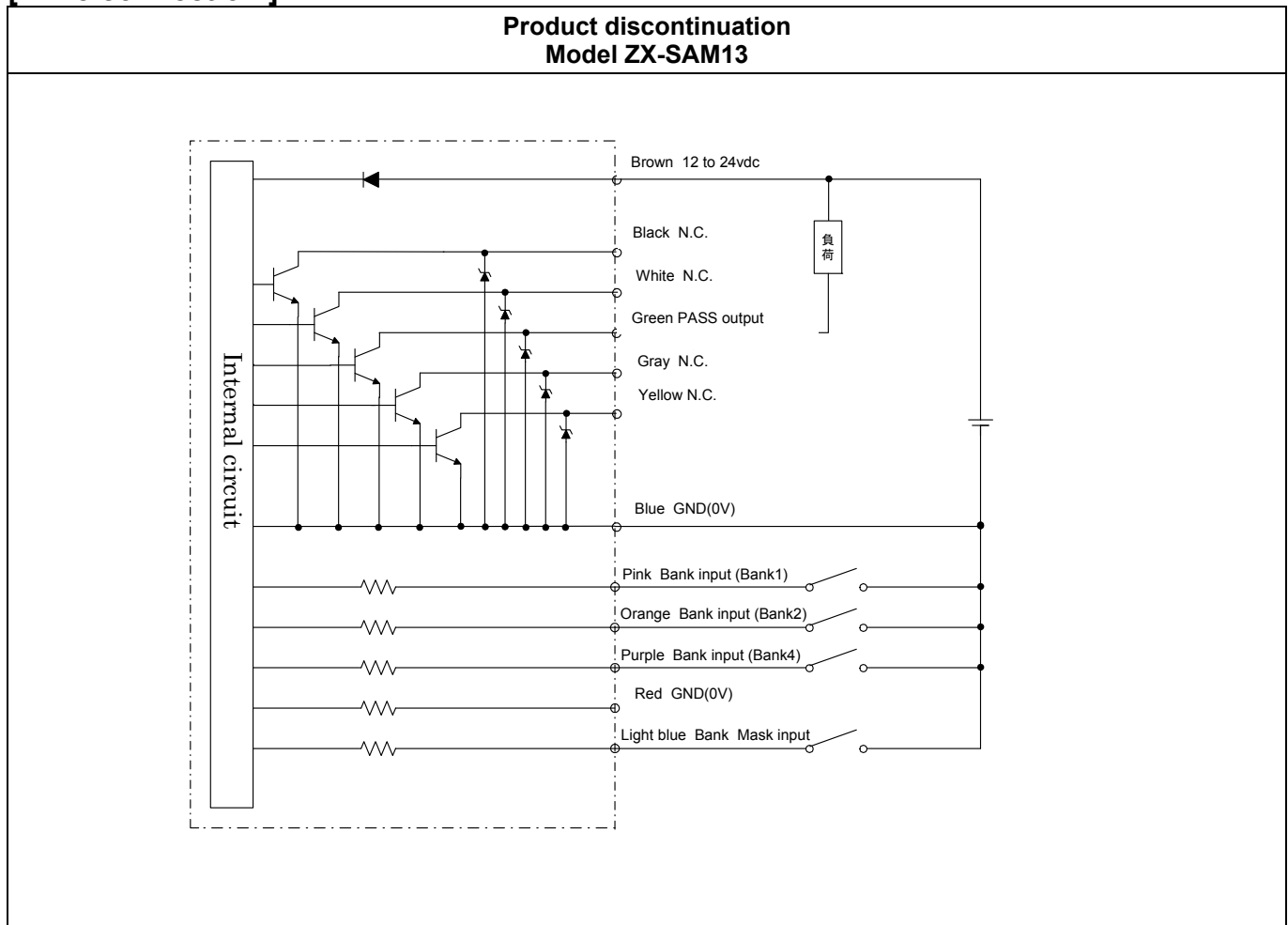
**No recommended replacement**

[ Discontinuation date ]  
The end of March, 2015

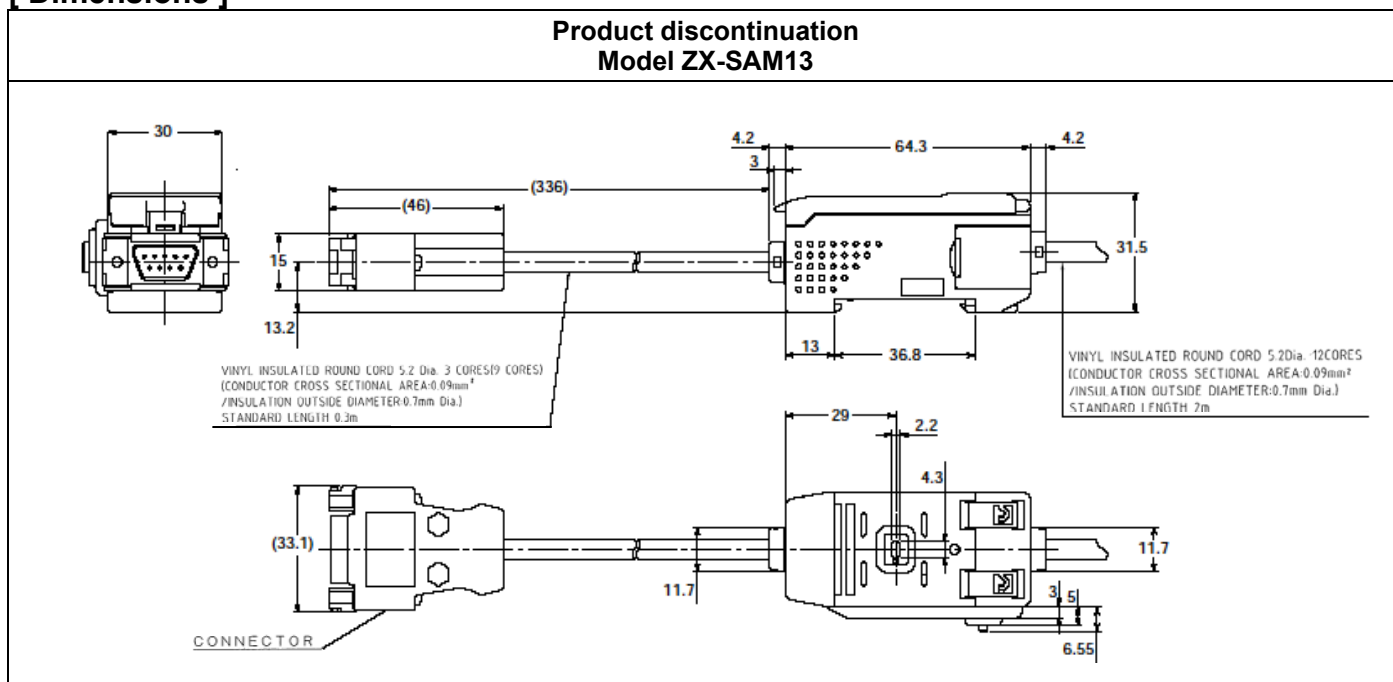
[ Product Discontinuation and recommended replacement ]

Product discontinuation	Recommended replacement
ZX-SAM13	No recommended replacement

[ Wire connection ]



[ Dimensions ]



[ Characteristics ]

Item		Product discontinuation Model ZX-SAM13
<b>Applicable Amplifier Unit versions</b>		ZX-LDA11-N Ver. 1.000 or higher ZX-EDA11 Ver. 1.300 or higher ZX-TDA11 Ver. 1.100 or higher ZX-LDA11 Ver. 2.100 or higher
<b>Measurement period</b>		300 μs
<b>Judgment outputs (PASS)</b>		NPN open-collector outputs, 30 VDC, 25 mA max. Residual voltage: 1.2 V max.
<b>Bank Change (1/2/4) input Mask input</b>		ON: Short-circuited with 0-V terminal or 1.5 V or less OFF: Open (leakage current: 0.1 mA max.)
<b>Communications functions</b>	<b>Communications port</b>	RS-232C port (9-pin D-Sub Connector)
	<b>Communications protocol</b>	CompoWay/F
	<b>Baud rate</b>	38,400 bps
	<b>Data configuration</b>	Data bits: 8, Parity: none, Start bits: 1, Stop bits: 1, Flow control:none
<b>Indicators</b>		Power supply: green, Sensor communications: green, Pass: green Mask input : yellow
<b>Power supply voltage</b>		12 to 24 VDC ±10%, Ripple (p-p): 10% max.
<b>Current consumption</b>		70 mA max. with power supply voltage of 12 VDC
<b>Weight (packed state)</b>		Approx. 350 g
<b>Materials</b>	<b>Case</b>	PBT (polybutylene terephthalate),
	<b>Cover</b>	Polycarbonate
<b>Accessories</b>		CD-ROM for a setup (application monitor), Instruction sheet, 2 clamps

Specifications and prices in this product news are as of the issue date and are subject to change without notice. Only main changes in specifications are described in this document. Please be sure to read the relevant catalogs, datasheets, product specifications, instructions, and manuals for precautions and necessary information when using products.