

Discontinuation Notice of Digital Panel Meter Model K3TG.

Product Discontinuation

Digital Panel Meter



Model K3TG



Recommended Replacement

There is no our product.

Watanabe Electric Industry Co., Ltd

Model A2100

[Discontinuation date]

The end of March, 2016

[Caution on recommended replacement]

There are some changes in rating and specifications.

Please read the catalog carefully for your understanding before using the product.

[Difference from discontinued product]

Recommended replacement Model	Body Color	Dimen-sions	Wire connection	Mounting Dimensions	Charact-eristics	Operation ratings	Operation methods
Model A2100	**	*	*	*	*	-	-

** : Compatible

* : The change is a little/Almost compatible

-- : Not compatible

- : No corresponding specification



■ Ordering Code

Product discontinuation Model K3TG	Recommendable replacement Model A2100										
K3TG-□ □ 1 □ ① ② ③	A21□0-□□ ① ②										
①② Input <table border="1"> <tr> <td>V1</td> <td>±199.9 mV</td> </tr> <tr> <td>V2</td> <td>±1.999 V</td> </tr> <tr> <td>V3</td> <td>±19.99 V</td> </tr> <tr> <td>V4</td> <td>±199.9 V</td> </tr> </table>	V1	±199.9 mV	V2	±1.999 V	V3	±19.99 V	V4	±199.9 V	① Supply Voltage <table border="1"> <tr> <td>1</td> <td>Non-isolation type (+5 V)</td> </tr> </table>	1	Non-isolation type (+5 V)
V1	±199.9 mV										
V2	±1.999 V										
V3	±19.99 V										
V4	±199.9 V										
1	Non-isolation type (+5 V)										
③ Supply Voltage <table border="1"> <tr> <td>7</td> <td>5 VDC (not internally insulated)</td> </tr> </table>	7	5 VDC (not internally insulated)	② Range <table border="1"> <tr> <td>11</td> <td>±199.9 mV</td> </tr> <tr> <td>12</td> <td>±1.999 V</td> </tr> <tr> <td>13</td> <td>±19.99 V</td> </tr> <tr> <td>14</td> <td>±199.9 V</td> </tr> </table>	11	±199.9 mV	12	±1.999 V	13	±19.99 V	14	±199.9 V
7	5 VDC (not internally insulated)										
11	±199.9 mV										
12	±1.999 V										
13	±19.99 V										
14	±199.9 V										

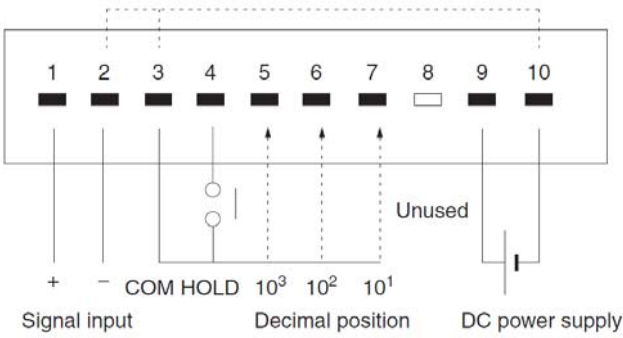
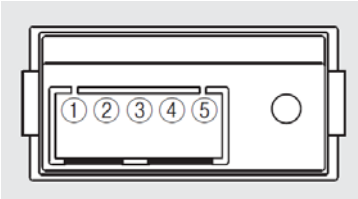
[Product Discontinuation and recommended replacement]

Product discontinuation	Recommended replacement
K3TG-V417	A2110-14
K3TG-V317	A2110-13
K3TG-V217	A2110-12
K3TG-V117	A2110-11

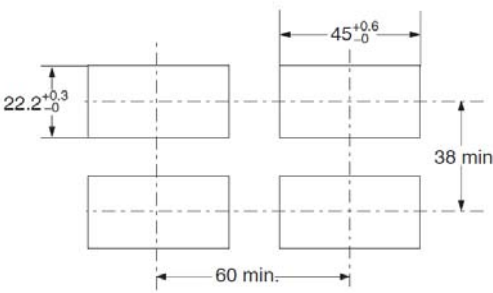
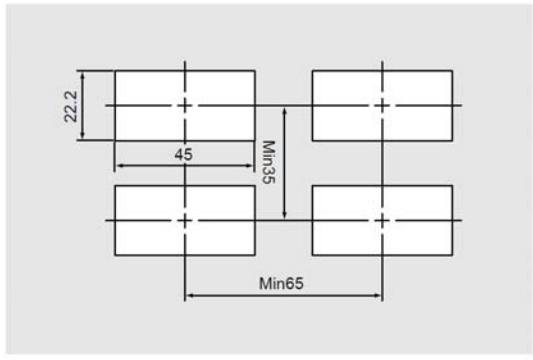
[Body color]

Product discontinuation Model K3TG	Recommendable replacement Model A2100
<p>Black</p> 	<p>Black</p> 

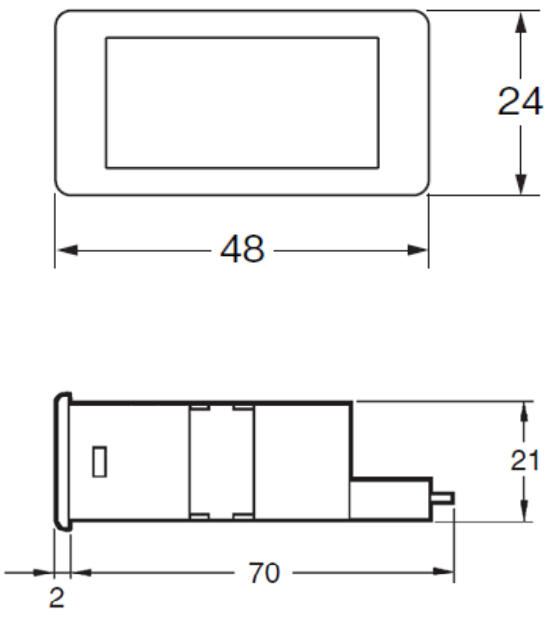
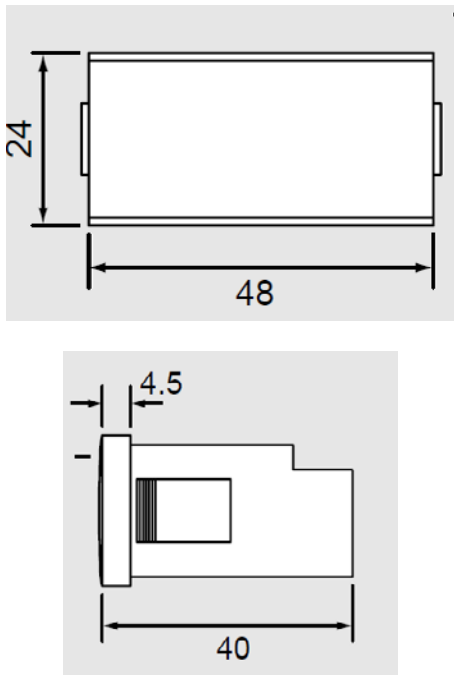
[Wire connection]

Product discontinuation Model K3TG	Recommendable replacement Model A2100															
	 <table border="1" data-bbox="906 1429 1369 1646"> <tbody> <tr> <td>①</td> <td>HI</td> <td>Signal input +</td> </tr> <tr> <td>②</td> <td>LO</td> <td>Signal input -</td> </tr> <tr> <td>③</td> <td>HOLD</td> <td>Hold</td> </tr> <tr> <td>④</td> <td>0V</td> <td>DC power supply -</td> </tr> <tr> <td>⑤</td> <td>+V</td> <td>DC power supply +</td> </tr> </tbody> </table>	①	HI	Signal input +	②	LO	Signal input -	③	HOLD	Hold	④	0V	DC power supply -	⑤	+V	DC power supply +
①	HI	Signal input +														
②	LO	Signal input -														
③	HOLD	Hold														
④	0V	DC power supply -														
⑤	+V	DC power supply +														

[Mounting dimensions]

<p>Product discontinuation Model K3TG</p>	<p>Recommendable replacement Model A2100</p>
<p style="text-align: center;">Panel Cutouts</p> 	<p>■ Panel Cutout</p> 

[Dimensions]

<p>Product discontinuation Model K3TG</p>	<p>Recommendable replacement Model A2100</p>
	

[Characteristics]

Item		Product discontinuation Model K3TG	Recommendable replacement Model A2100
Supply voltage		5 VDC (not internally insulated)	Non-isolation type 5 VDC±5%
Operating voltage range		-5% to +5% of supply voltage	---
Power consumption		0.3 W (at max. DC load)	---
Insulation resistance		10 MΩ min. (at 500 VDC) between external terminal and case	500 VDC 100 M at the above terminals
Dielectric strength		2,000 VAC min. for 1 min between external terminal and case	Power supply and input terminal at 500 VDC/1min Case and each terminals at 1500 VAC/1min
Ambient temperature		Operating: -10° to 55°C (with no icing) Storage: -20° to 65°C (with no icing)	0 to 50°C
Ambient humidity		Operating: 35% to 85% (with no condensation)	35 to 85% RH
Max. displayed digits		3 1/2 digits (+1999)	1999
Display		7-segment red LED	Red LED, 10 mm
Measuring range	DC voltage	±199.9 mV ±1.999 V ±19.99 V ±199.9 V	±199.9 mV ±1.999 V ±19.99 V ±199.9 V
Accuracy		±0.1%rdg ±1 digit	± (0.1% of F.S)

Specifications and prices in this product news are as of the issue date and are subject to change without notice. Only main changes in specifications are described in this document. Please be sure to read the relevant catalogs, datasheets, product specifications, instructions, and manuals for precautions and necessary information when using products.