

## Product Discontinuation Notices

Vision Sensors / Machine Vision Systems

Issue Date  
January 6, 2014

No. 2014006CE

**Discontinuation Notice of Halation Cut Illumination  
Model FZ-SXCRB7018BR-4S, Model FZ-LTCRB7018BR-4S,  
and Model FZ-LTRB7018BR-4S.**

### Product Discontinuation

Halation Cut Illumination



**Model FZ-SXCRB7018BR-4S  
Model FZ-LTCRB7018BR-4S  
Model FZ-LTRB7018BR-4S**



### Recommended Replacement

No recommended replacement

#### [ Discontinuation date ]

The end of January, 2015

#### [ Product Discontinuation and recommended replacement ]

Product discontinuation	Recommended replacement
FZ-SXCRB7018BR-4S	No recommended replacement
FZ-LTCRB7018BR-4S	
FZ-LTRB7018BR-4S	

#### [ Body color ]

**Product discontinuation  
Model FZ-SXCRB7018BR-4S / Model FZ-LTCRB7018BR-4S / Model FZ-LTRB7018BR-4S**



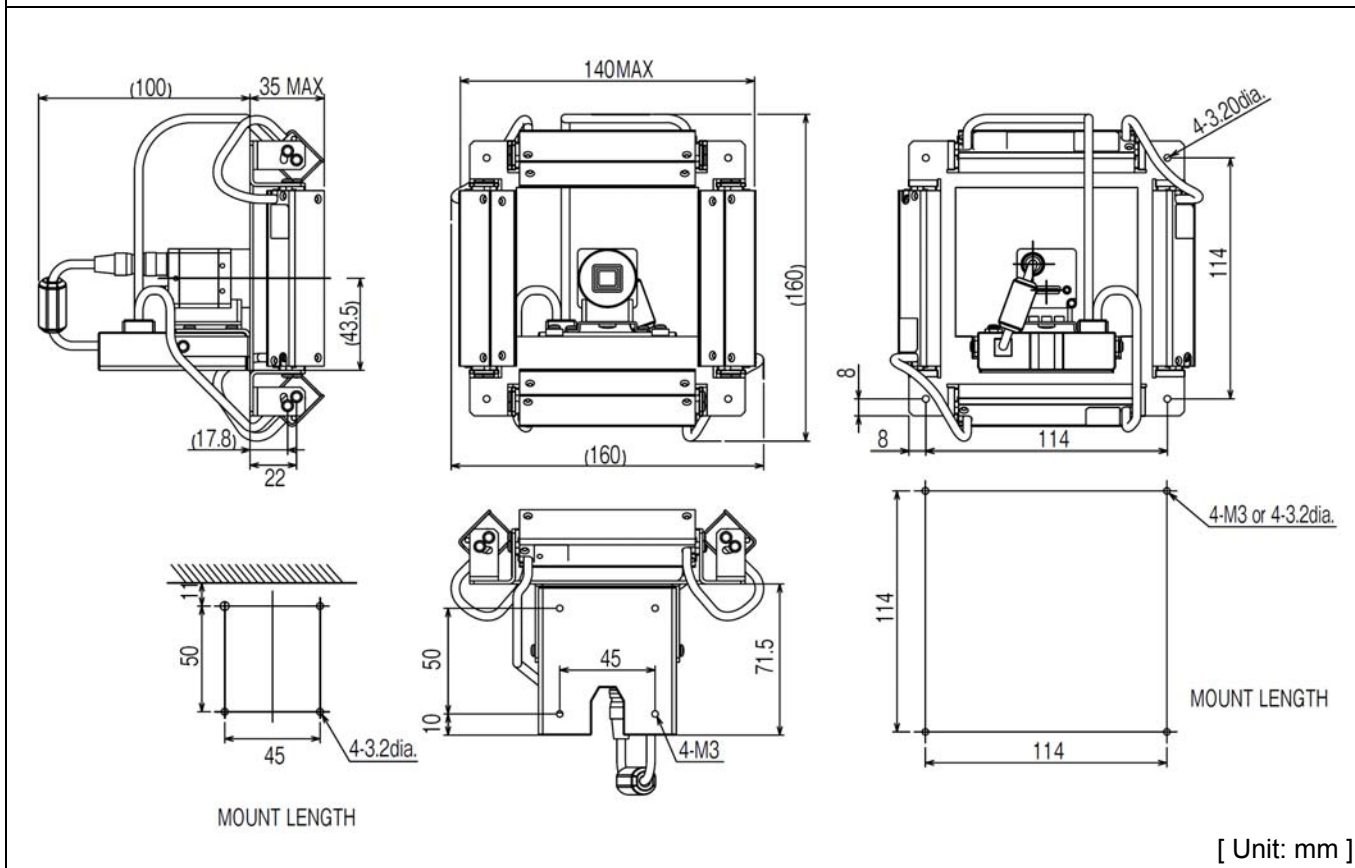
Note) The picture shows Integrated unit combining special Halation cut illumination, strobe controller and camera (with lens).

#### [ Components of Product discontinuation ]

Product discontinuation Model FZ-SXCRB7018BR-4S / Model FZ-LTCRB7018BR-4S / Model FZ-LTRB7018BR-4S			
Set Model	Illumination	Strobe Controller	Camera
FZ-SXCRB7018BR-4S	FZ-LTRB7018BR-4S	FZ-LTCS400	FZ-SC
FZ-LTCRB7018BR-4S	FZ-LTRB7018BR-4S	FZ-LTCS400	(No)
FZ-LTRB7018BR-4S	FZ-LTRB7018BR-4S	(No)	(No)

[ Dimensions ]

Product discontinuation  
Model FZ-SXCRB7018BR-4S



[ Illumination specifications ]

Item	Product discontinuation Model FZ-SXCRB7018BR-4S / FZ-LTCRB7018BR-4S / FZ-LTRB7018BR-4S
Light source	Blue LED (Wavelength: Approx. 470 nm), Red LED (Wavelength: Approx 630 nm)
Lighting system	8-block lighting with variable illumination intensity
Mean life	5,000 hours (Time required for the illumination intensity to drop to 50% of original level at shipment under constant lighting condition at maximum intensity with the ambient temperature of 25°C)

**[ General Specifications ]**

Item	Product discontinuation		
	Model	FZ-SXCRB7018BR-4S	FZ-LTCRB7018BR-4S
Power Consumption	18 W maximum (12 VDC, 1.5 A maximum) (including strobe controller and camera)		
Vibration resistance	10 to 150 Hz, half-amplitude: 0.35 mm (maximum acceleration 50 m/s <sup>2</sup> ) 10 times for 8 minutes earth in directions		
Shock resistance	150 m/s <sup>2</sup> 3 times each in 3 directions		
Ambient Temperature	Operating: 0 to 50°C (with no icing or condensation) Storage: -25 to 60°C (with no icing or condensation)		
Ambient humidity	Operation and storage: 35 to 85%		
Ambient environment	No corrosive gases		
Degree of protection	IEC60529 IP20		
Material	Case for Illumination: Galvanized steel sheet metal Cover for Illumination: Acrylic Attachment for Illumination: Stainless steel		
Weight (including Cable)	Approx. 600 g	Approx. 500 g	Approx. 400 g

**[ Accessories ]**

Set Model	Instruction Sheet	Instruction Sheet (for Strobe Controller)	Instruction Sheet (for Camera)	Screws (for mounting Illumination)	Attachment (for mounting Camera)	Screw (for mounting Camera)
FZ-SXCRB7018BR-4S	Yes	Yes	Yes	mounted	mounted	mounted
FZ-LTCRB7018BR-4S	Yes	Yes	No	mounted	Yes	No
FZ-LTRB7018BR-4S	Yes	No	No	Yes	No	No

Specifications and prices in this product news are as of the issue date and are subject to change without notice. Only main changes in specifications are described in this document. Please be sure to read the relevant catalogs, datasheets, product specifications, instructions, and manuals for precautions and necessary information when using products.