

Product Discontinuation Notices

Safety Door Switches

Issue Date
March 3, 2014

No. 2014005CE(2)

Discontinuation Notice of Guard Lock Safety-door Switch: Model D4GL series / Slide key: Model D4GL-LK10-LK series.

<< REQUEST >>

There was modification in portion of Product Discontinuation notices of Product News No. 2014005CE of January 2014 issue.

What we have changed is addition of two models as follows; D4GL-SK10-LK-K, D4GL-SK10-LKH-K. Please abolish old edition, replace the latest No. 2014005CE(2).

Product Discontinuation

Guard Lock Safety-door Switch



Model D4GL series

Slide key

Model D4GL-LK10-LK series



Recommended Replacement

Guard Lock Safety-door Switch

Model D4SL-N series

Slide key

Model D4SL-NSK10-LK series

[Discontinuation date]

The end of March, 2015

[Caution on recommended replacement]

For all models, Dimensions, Wire connection, Mounting dimensions and part of Characteristics and Operation ratings are different.

[Difference from discontinued product]

Recommended replacement Model	Body Color	Dimensions	Wire connection	Mounting Dimensions	Characteristics	Operation ratings	Operation methods
D4SL-N	**	--	--	--	--	*	**
D4SL-NSK10-LK	**	*	-	*	-	-	**

** : Compatible

* : The change is a little/Almost compatible

-- : Not compatible

- : No corresponding specification

[Product Discontinuation and recommended replacement]

Product discontinuation	Recommended replacement
D4GL-1AFA-A	D4SL-N4AFA
	D4SL-N4AFA-N
D4GL-1AFA-A4	D4SL-N4AFA
	D4SL-N4AFA-N
D4GL-1AFG-A	D4SL-N4AFG
	D4SL-N4AFG-N
D4GL-1AFG-A4	D4SL-N4AFG
	D4SL-N4AFG-N
D4GL-1BFA-A	D4SL-N4BFA
	D4SL-N4BFA-N

Product discontinuation	Recommended replacement
D4GL-1BFA-A4	D4SL-N4BFA
	D4SL-N4BFA-N
D4GL-1BFG-A	D4SL-N4BFG
	D4SL-N4BFG-N
D4GL-1BFG-A4	D4SL-N4BFG
	D4SL-N4BFG-N
D4GL-1CFA-A	D4SL-N4CFA
	D4SL-N4CFA-N
D4GL-1CFA-A4	D4SL-N4CFA
	D4SL-N4CFA-N
D4GL-1CFG-A	D4SL-N4CFG
	D4SL-N4CFG-N
D4GL-1CFG-A4	D4SL-N4CFG
	D4SL-N4CFG-N
D4GL-1DFA-A	D4SL-N4DFA
	D4SL-N4DFA-N
D4GL-1DFA-A4	D4SL-N4DFA
	D4SL-N4DFA-N
D4GL-1DFG-A	D4SL-N4DFG
	D4SL-N4DFG-N
D4GL-1DFG-A4	D4SL-N4DFG
	D4SL-N4DFG-N
D4GL-1EFA-A	D4SL-N4EFA-D
	D4SL-N4EFA-DN
D4GL-1EFA-A4	D4SL-N4EFA-D4
	D4SL-N4EFA-D4N
D4GL-1EFG-A	D4SL-N4EFG-D
	D4SL-N4EFG-DN
D4GL-1EFG-A4	D4SL-N4EFG-D4
	D4SL-N4EFG-D4N
D4GL-1FFA-A	D4SL-N4FFA-D
	D4SL-N4FFA-DN
D4GL-1FFA-A4	D4SL-N4FFA-D4
	D4SL-N4FFA-D4N
D4GL-1FFG-A	D4SL-N4FFG-D
	D4SL-N4FFG-DN
D4GL-1FFG-A4	D4SL-N4FFG-D4
	D4SL-N4FFG-D4N
D4GL-1GFA-A	D4SL-N4GFA-D
	D4SL-N4GFA-DN
D4GL-1GFA-A4	D4SL-N4GFA-D4
	D4SL-N4GFA-D4N
D4GL-1GFG-A	D4SL-N4GFG-D
	D4SL-N4GFG-DN
D4GL-1GFG-A4	D4SL-N4GFG-D4
	D4SL-N4GFG-D4N
D4GL-1HFA-A	D4SL-N4HFA-D
	D4SL-N4HFA-DN

Product discontinuation	Recommended replacement
D4GL-1HFA-A4	D4SL-N4HFA-D4
	D4SL-N4HFA-D4N
D4GL-1HFG-A	D4SL-N4HFG-D
	D4SL-N4HFG-DN
D4GL-1HFG-A4	D4SL-N4HFG-D4
	D4SL-N4HFG-D4N
D4GL-2AFA-A	D4SL-N2AFA
	D4SL-N2AFA-N
D4GL-2AFA-A4	D4SL-N2AFA
	D4SL-N2AFA-N
D4GL-2AFG-A	D4SL-N2AFG
	D4SL-N2AFG-N
D4GL-2AFG-A4	D4SL-N2AFG
	D4SL-N2AFG-N
D4GL-2BFA-A	D4SL-N2BFA
	D4SL-N2BFA-N
D4GL-2BFA-A4	D4SL-N2BFA
	D4SL-N2BFA-N
D4GL-2BFG-A	D4SL-N2BFG
	D4SL-N2BFG-N
D4GL-2BFG-A4	D4SL-N2BFG
	D4SL-N2BFG-N
D4GL-2CFA-A	D4SL-N2CFA
	D4SL-N2CFA-N
D4GL-2CFA-A4	D4SL-N2CFA
	D4SL-N2CFA-N
D4GL-2CFG-A	D4SL-N2CFG
	D4SL-N2CFG-N
D4GL-2CFG-A4	D4SL-N2CFG
	D4SL-N2CFG-N
D4GL-2DFA-A	D4SL-N2DFA
	D4SL-N2DFA-N
D4GL-2DFA-A4	D4SL-N2DFA
	D4SL-N2DFA-N
D4GL-2DFG-A	D4SL-N2DFG
	D4SL-N2DFG-N
D4GL-2DFG-A4	D4SL-N2DFG
	D4SL-N2DFG-N
D4GL-2EFA-A	D4SL-N2EFA-D
	D4SL-N2EFA-DN
D4GL-2EFA-A4	D4SL-N2EFA-D4
	D4SL-N2EFA-D4N
D4GL-2EFG-A	D4SL-N2EFG-D
	D4SL-N2EFG-DN
D4GL-2EFG-A4	D4SL-N2EFG-D4
	D4SL-N2EFG-D4N
D4GL-2FFA-A	D4SL-N2FFA-D
	D4SL-N2FFA-DN

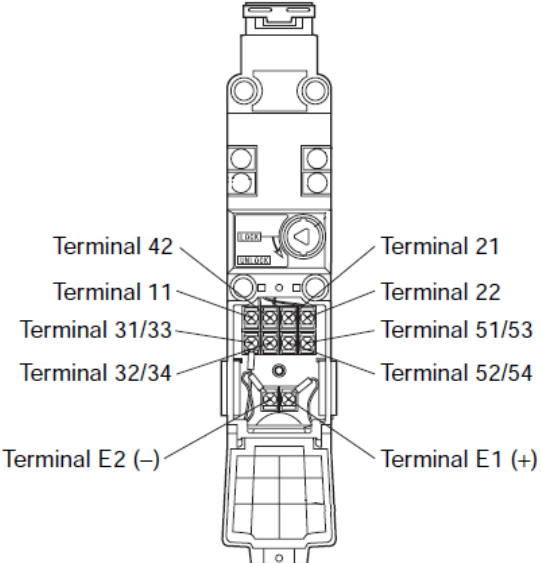
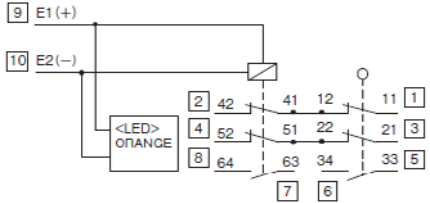

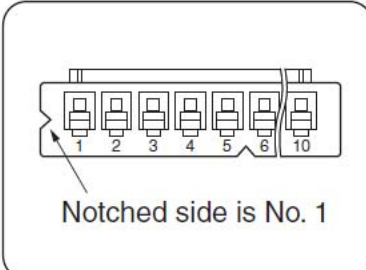

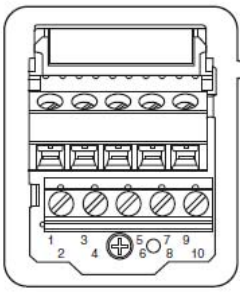
Product discontinuation	Recommended replacement
D4GL-2FFA-A4	D4SL-N2FFA-D4
	D4SL-N2FFA-D4N
D4GL-2FFG-A	D4SL-N2FFG-D
	D4SL-N2FFG-DN
D4GL-2FFG-A4	D4SL-N2FFG-D4
	D4SL-N2FFG-D4N
D4GL-2GFA-A	D4SL-N2GFA-D
	D4SL-N2GFA-DN
D4GL-2GFA-A4	D4SL-N2GFA-D4
	D4SL-N2GFA-D4N
D4GL-2GFG-A	D4SL-N2GFG-D
	D4SL-N2GFG-DN
D4GL-2GFG-A4	D4SL-N2GFG-D4
	D4SL-N2GFG-D4N
D4GL-2HFA-A	D4SL-N2HFA-D
	D4SL-N2HFA-DN
D4GL-2HFA-A4	D4SL-N2HFA-D4
	D4SL-N2HFA-D4N
D4GL-2HFG-A	D4SL-N2HFG-D
	D4SL-N2HFG-DN
D4GL-2HFG-A4	D4SL-N2HFG-D4
	D4SL-N2HFG-D4N
D4GL-4AFA-A	D4SL-N4AFA
	D4SL-N4AFA-N
D4GL-4AFA-A4	D4SL-N4AFA
	D4SL-N4AFA-N
D4GL-4AFG-A	D4SL-N4AFG
	D4SL-N4AFG-N
D4GL-4AFG-A4	D4SL-N4AFG
	D4SL-N4AFG-N
D4GL-4BFA-A	D4SL-N4BFA
	D4SL-N4BFA-N
D4GL-4BFA-A4	D4SL-N4BFA
	D4SL-N4BFA-N
D4GL-4BFG-A	D4SL-N4BFG
	D4SL-N4BFG-N
D4GL-4BFG-A4	D4SL-N4BFG
	D4SL-N4BFG-N
D4GL-4CFA-A	D4SL-N4CFA
	D4SL-N4CFA-N
D4GL-4CFA-A4	D4SL-N4CFA
	D4SL-N4CFA-N
D4GL-4CFG-A	D4SL-N4CFG
	D4SL-N4CFG-N
D4GL-4CFG-A4	D4SL-N4CFG
	D4SL-N4CFG-N
D4GL-4DFA-A	D4SL-N4DFA
	D4SL-N4DFA-N

Product discontinuation	Recommended replacement
D4GL-4DFA-A4	D4SL-N4DFA
	D4SL-N4DFA-N
D4GL-4DFG-A	D4SL-N4DFG
	D4SL-N4DFG-N
D4GL-4DFG-A4	D4SL-N4DFG
	D4SL-N4DFG-N
D4GL-4EFA-A	D4SL-N4EFA-D
	D4SL-N4EFA-DN
D4GL-4EFA-A4	D4SL-N4EFA-D4
	D4SL-N4EFA-D4N
D4GL-4EFG-A	D4SL-N4EFG-D
	D4SL-N4EFG-DN
D4GL-4EFG-A4	D4SL-N4EFG-D4
	D4SL-N4EFG-D4N
D4GL-4FFA-A	D4SL-N4FFA-D
	D4SL-N4FFA-DN
D4GL-4FFA-A4	D4SL-N4FFA-D4
	D4SL-N4FFA-D4N
D4GL-4FFG-A	D4SL-N4FFG-D
	D4SL-N4FFG-DN
D4GL-4FFG-A4	D4SL-N4FFG-D4
	D4SL-N4FFG-D4N
D4GL-4GFA-A	D4SL-N4GFA-D
	D4SL-N4GFA-DN
D4GL-4GFA-A4	D4SL-N4GFA-D4
	D4SL-N4GFA-D4N
D4GL-4GFG-A	D4SL-N4GFG-D
	D4SL-N4GFG-DN
D4GL-4GFG-A4	D4SL-N4GFG-D4
	D4SL-N4GFG-D4N
D4GL-4HFA-A	D4SL-N4HFA-D
	D4SL-N4HFA-DN
D4GL-4HFA-A4	D4SL-N4HFA-D4
	D4SL-N4HFA-D4N
D4GL-4HFG-A	D4SL-N4HFG-D
	D4SL-N4HFG-DN
D4GL-4HFG-A4	D4SL-N4HFG-D4
	D4SL-N4HFG-D4N
D4GL-2ADA-A4	D4SL-N2AFA
	D4SL-N2AFA-N
D4GL-2BDA-A	D4SL-N2BFA
	D4SL-N2BFA-N
D4GL-2EDA-A	D4SL-N2EDA-D
	D4SL-N2EDA-DN
D4GL-2EDG-A	D4SL-N2EDG-D
	D4SL-N2EDG-DN
D4GL-2FDA-A	D4SL-N2FDA-D
	D4SL-N2FDA-DN

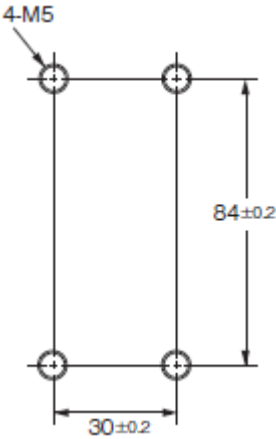
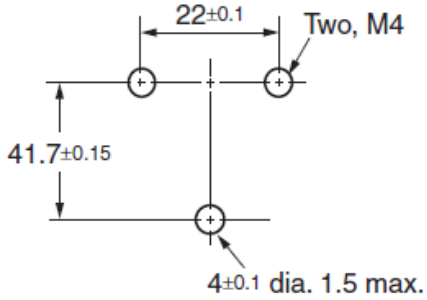
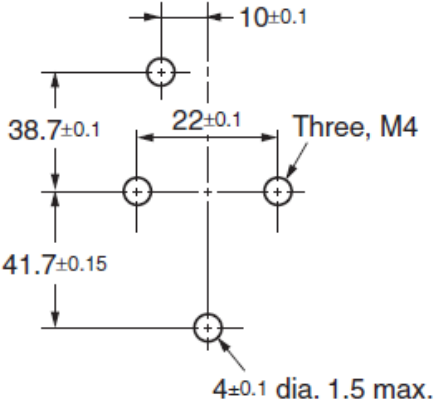
Product discontinuation	Recommended replacement
D4GL-2FDG-A	D4SL-N2FDG-D
	D4SL-N2FDG-DN
D4GL-2GDA-A	D4SL-N2GDA-D
	D4SL-N2GDA-DN
D4GL-2GDG-A	D4SL-N2GDG-D
	D4SL-N2GDG-DN
D4GL-2HDA-A	D4SL-N2HDA-D
	D4SL-N2HDA-DN
D4GL-2HDG-A	D4SL-N2HDG-D
	D4SL-N2HDG-DN
D4GL-4ADA-A	D4SL-N4AFA
	D4SL-N4AFA-N
D4GL-4CDG-A4	D4SL-N4CFG
	D4SL-N4CFG-N
D4GL-4GDG-A4	D4SL-N4GDG-D4
	D4SL-N4GDG-D4N
D4GL-2AFA-A-SJ	D4SL-N2AFA
	D4SL-N2AFA-N
D4GL-2AFG-A-SJ	D4SL-N2AFG
	D4SL-N2AFG-N
D4GL-2BFA-A-SJ	D4SL-N2BFA
	D4SL-N2BFA-N
D4GL-2BFG-A-SJ	D4SL-N2BFG
	D4SL-N2BFG-N
D4GL-2CFA-A-SJ	D4SL-N2CFA
	D4SL-N2CFA-N
D4GL-2CFG-A-SJ	D4SL-N2CFG
	D4SL-N2CFG-N
D4GL-2DFA-A-SJ	D4SL-N2DFA
	D4SL-N2DFA-N
D4GL-2DFG-A-SJ	D4SL-N2DFG
	D4SL-N2DFG-N
D4GL-2EFA-A-SJ	D4SL-N2EFA-D
	D4SL-N2EFA-DN
D4GL-2EFG-A-SJ	D4SL-N2EFG-D
	D4SL-N2EFG-DN
D4GL-2FFA-A-SJ	D4SL-N2FFA-D
	D4SL-N2FFA-DN
D4GL-2FFG-A-SJ	D4SL-N2FFG-D
	D4SL-N2FFG-DN
D4GL-2GFA-A-SJ	D4SL-N2GFA-D
	D4SL-N2GFA-DN
D4GL-2GFG-A-SJ	D4SL-N2GFG-D
	D4SL-N2GFG-DN
D4GL-2HFA-A-SJ	D4SL-N2HFA-D
	D4SL-N2HFA-DN
D4GL-2HFG-A-SJ	D4SL-N2HFG-D
	D4SL-N2HFG-DN

Product discontinuation	Recommended replacement
D4GL-4AFA-A-SJ	D4SL-N4AFA
	D4SL-N4AFA-N
D4GL-4AFG-A-SJ	D4SL-N4AFG
	D4SL-N4AFG-N
D4GL-4BFA-A-SJ	D4SL-N4BFA
	D4SL-N4BFA-N
D4GL-4BFG-A-SJ	D4SL-N4BFG
	D4SL-N4BFG-N
D4GL-4CFA-A-SJ	D4SL-N4CFA
	D4SL-N4CFA-N
D4GL-4CFG-A-SJ	D4SL-N4CFG
	D4SL-N4CFG-N
D4GL-4DFA-A-SJ	D4SL-N4DFA
	D4SL-N4DFA-N
D4GL-4DFG-A-SJ	D4SL-N4DFG
	D4SL-N4DFG-N
D4GL-4EFA-A-SJ	D4SL-N4EFA-D
	D4SL-N4EFA-DN
D4GL-4EFG-A-SJ	D4SL-N4EFG-D
	D4SL-N4EFG-DN
D4GL-4FFA-A-SJ	D4SL-N4FFA-D
	D4SL-N4FFA-DN
D4GL-4FFG-A-SJ	D4SL-N4FFG-D
	D4SL-N4FFG-DN
D4GL-4GFA-A-SJ	D4SL-N4GFA-D
	D4SL-N4GFA-DN
D4GL-4GFG-A-SJ	D4SL-N4GFG-D
	D4SL-N4GFG-DN
D4GL-4HFA-A-SJ	D4SL-N4HFA-D
	D4SL-N4HFA-DN
D4GL-4HFG-A-SJ	D4SL-N4HFG-D
	D4SL-N4HFG-DN
D4GL-SK10-LK	D4SL-NSK10-LK
D4GL-SK10-LKH	D4SL-NSK10-LKH
D4GL-SK10-LK-K	D4SL-NSK10-LK-K
D4GL-SK10-LKH-K	D4SL-NSK10-LKH-K

[Wire connection]

<p>Product discontinuation Model D4GL series</p>	<p>Recommendable replacement Model D4SL-N series</p>
<p>Terminal Layout</p>  <p>Terminal 42</p> <p>Terminal 11</p> <p>Terminal 31/33</p> <p>Terminal 32/34</p> <p>Terminal E2 (-)</p> <p>Terminal 21</p> <p>Terminal 22</p> <p>Terminal 51/53</p> <p>Terminal 52/54</p> <p>Terminal E1 (+)</p>	<p>Terminal Layout (In case of 2NC/1NO+2NC/1NO contact type)</p>  <p>9 E1 (+)</p> <p>10 E2 (-)</p> <p>2 42</p> <p>4 52</p> <p>8 64</p> <p>7</p> <p>6</p> <p>41</p> <p>51</p> <p>63</p> <p>12</p> <p>22</p> <p>34</p> <p>11 1</p> <p>21 3</p> <p>33 5</p> <p><LED> ORANGE</p> <p>Connector type</p>   <p>Notched side is No. 1</p> <p>Terminal type</p>  

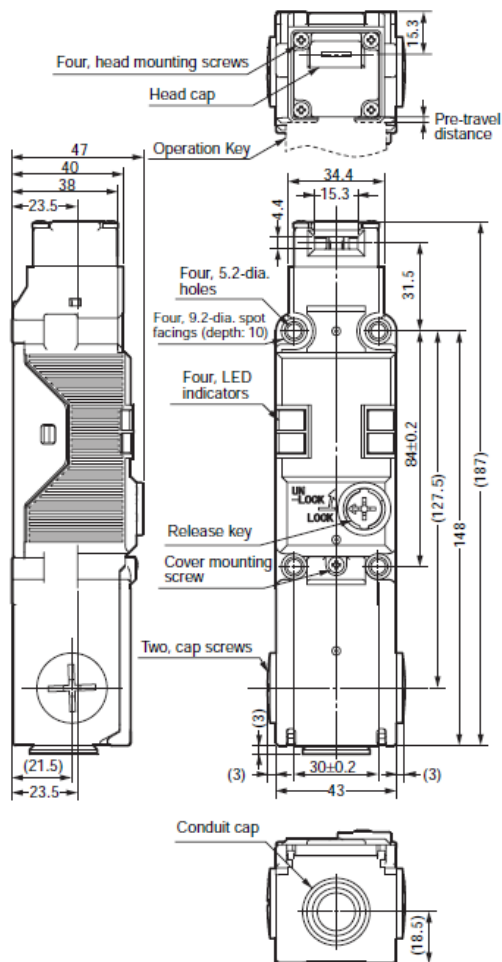
[Mounting dimensions]

<p>Product discontinuation Model D4GL series</p>	<p>Recommendable replacement Model D4SL-N series</p>
 <p>4-M5</p> <p>30±0.2</p> <p>84±0.2</p>	<p>Front mounting</p>  <p>22±0.1</p> <p>Two, M4</p> <p>41.7±0.15</p> <p>4±0.1 dia. 1.5 max.</p> <p>Side mounting</p>  <p>10±0.1</p> <p>38.7±0.1</p> <p>22±0.1</p> <p>Three, M4</p> <p>41.7±0.15</p> <p>4±0.1 dia. 1.5 max.</p>

[Dimensions]

Product discontinuation
Model D4GL series / D4GL-SK10-LK series

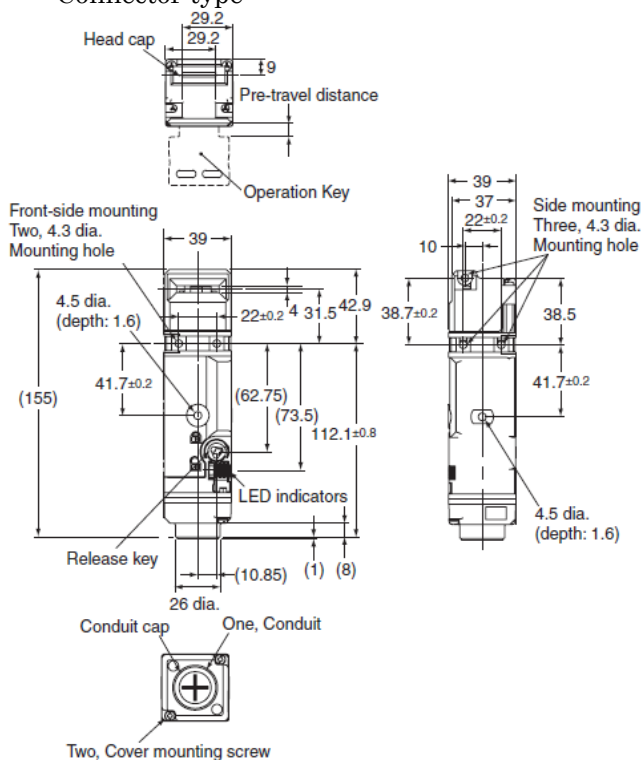
D4GL series



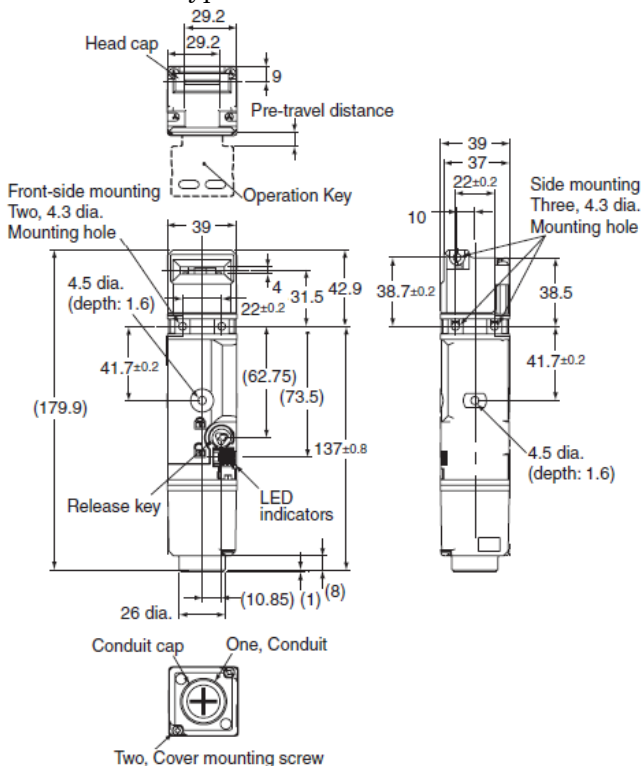
Recommendable replacement
Model D4SL-N series / D4SL-NSK10-LK series

D4SL-N series

Connector type



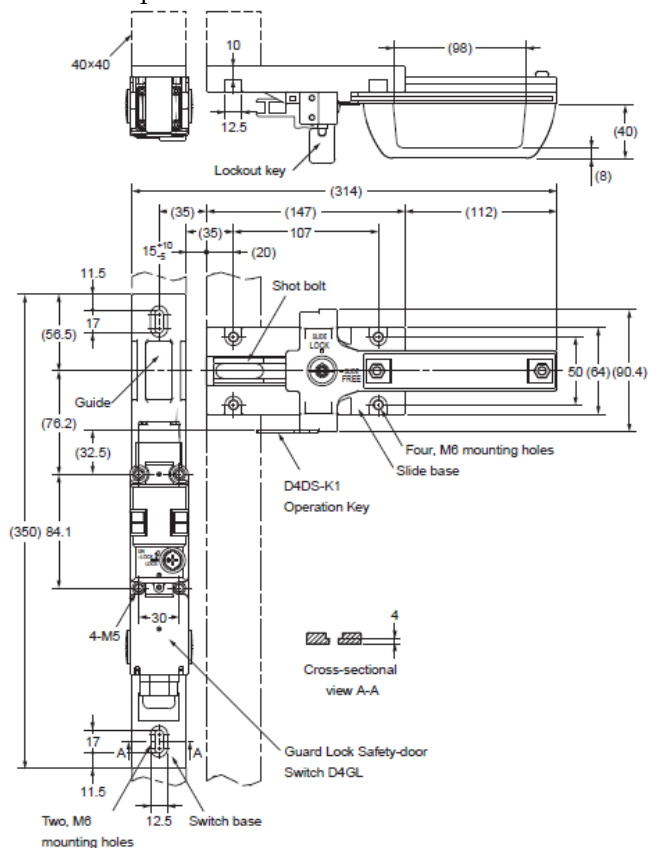
Terminal type



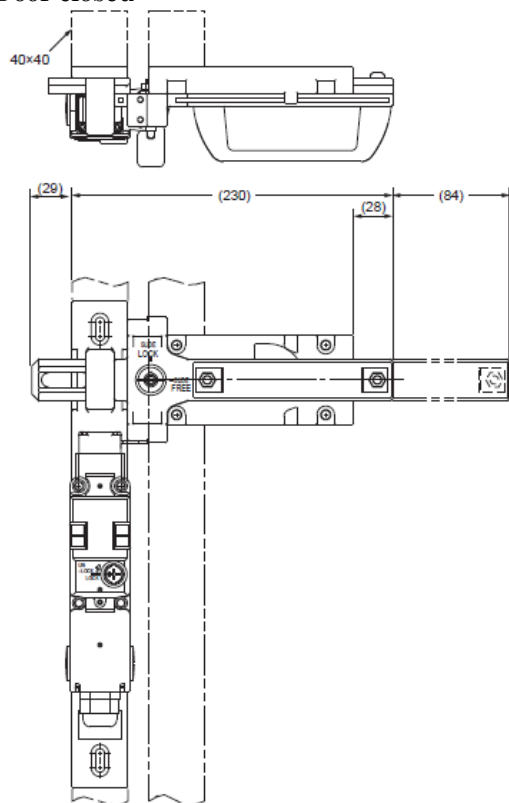
Product discontinuation
Model D4GL series / D4GL-SK10-LK series

D4GL-SK10-LK series

Door open



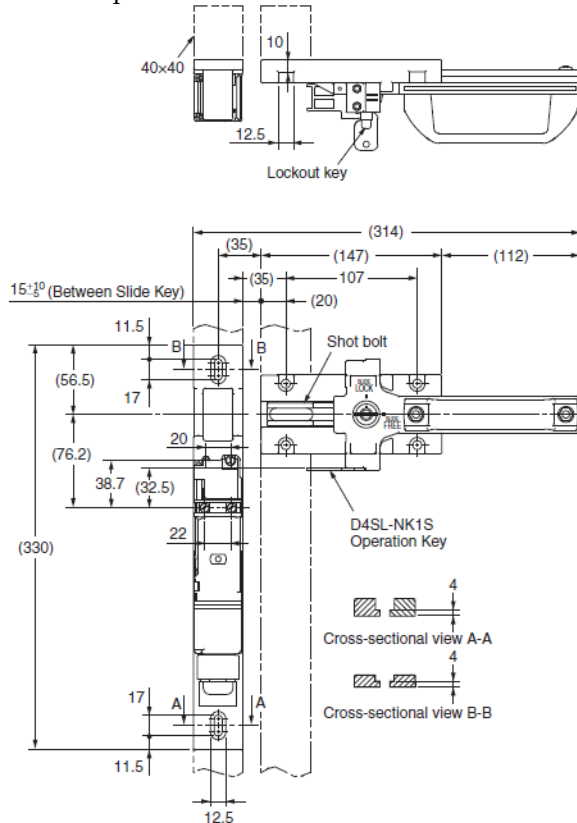
Door closed



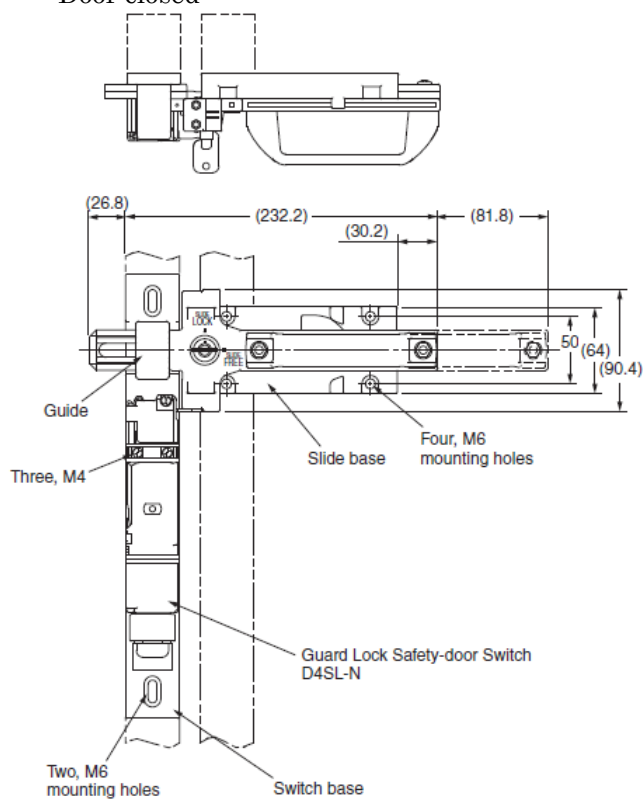
Recommendable replacement
Model D4SL-N series / D4SL-NSK10-LK series

D4SL-NSK10-LK series

Door open



Door closed



[Characteristics]

Item	Product discontinuation Model D4GL series	Recommendable replacement Model D4SL-N series
TUV certified ratings	AC-15 Rated operating current (Ie): 0.75 A Rated operating voltage (Ue): 240 V DC-13 Rated operating current (Ie): 0.27 A Rated operating voltage (Ue): 250 V	AC-15 Rated operating current (Ie): 11-42, 21-52, 21-22: 1.5 A Other terminals: 1A Rated operating voltage (Ue): 120 V DC-13 Rated operating current (Ie): 0.22 A Rated operating voltage (Ue): 125 V
UL certified ratings	AC: C300 DC: Q300	AC: C150 DC: R150
Solenoid coil current consumption	Approx. 200 mA	Power ON 6 contact type: Approx. 260 mA 4 contact/ 5 contact type: Approx. 200 mA Constant Approx. 200 mA
Indicator (LED) current consumption	Approx. 3 mA	Approx. 10 mA
Electrical durability	500,000 operations min. (4 mA resistive load at 24 VDC) 150,000 operations min. (1 A resistive load at 125 V AC, 2 circuits / 4 mA resistive load at 24 VDC, 2 circuits)	150,000 operations min. (1 A resistive load at 125 VAC)
Operating speed	0.05 to 0.5 m/s	0.05 to 1 m/s
Operating frequency	30 operations/minute max.	5 operations/minute max.
Direct opening travel	10 mm min.	15 mm min.
Holding force	1,000 N min.	1,300 N min.
Contact resistance	100 mΩ max.	200 mΩ max.
Minimum applicable load	4 mA resistive load at 24 VDC	1 mA resistive load at 5 VDC
Rated insulation voltage (Ui)	300 V	150 V
Impulse withstand voltage	Between terminals of same polarity: 2.5 kV Between terminals of different polarity: 4 kV Between other terminals and non-current carrying metallic parts: 4 kV	Between terminals of same polarity: 1.5 kV Between terminals of different polarity: 1.5 kV Between other terminals and non-current carrying metallic parts: 2.5 kV
Vibration resistance (Malfunction)	10 to 55 Hz, 0.75 mm single amplitude	10 to 55 Hz, 0.35 mm single amplitude
Shock resistance (Malfunction)	300 m/s ² min.	80 m/s ² min.

[Operation ratings]

Product discontinuation Model D4GL series	Recommendable replacement Model D4SL-N series
Pre-travel Distance 10 mm max.	Pre-travel Distance 15 mm max.
Movement before being locked 4 mm min.	Movement before being locked 3 mm min.

Specifications and prices in this product news are as of the issue date and are subject to change without notice. Only main changes in specifications are described in this document. Please be sure to read the relevant catalogs, datasheets, product specifications, instructions, and manuals for precautions and necessary information when using products.