

Product Discontinuation Notices

Measuring / Motor Protective Relays

Issue Date
December 2, 2013

No. 2013E020C

Discontinuation Notice of Three-phase Voltage Relay K8AB-PW[].

Product Discontinuation

Three-phase Voltage Relay



Model K8AB-PW[]



Recommended Replacement

Three-phase Voltage Relay

Model K8AK-PW[]

[Discontinuation date]

The end of March, 2015

[Caution on recommended replacement]

There are some changes in rating and specifications.

Please read the catalog carefully for your fully understanding before using the product.

[Difference from discontinued product]

Recommended replacement Model	Body Color	Dimen-sions	Wire connection	Mounting Dimensions	Charact-eristics	Operation ratings	Operation methods
K8AK-PW[]	--	**	**	*	*	*	**

** : Compatible

* : The change is a little/Almost compatible



-- : Not compatible

- : No corresponding specification

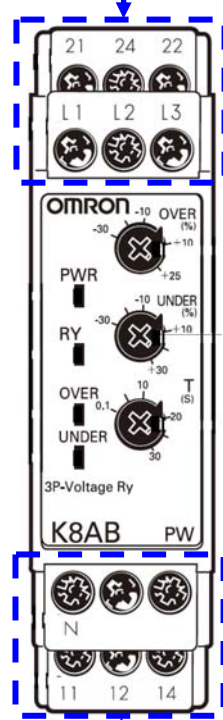
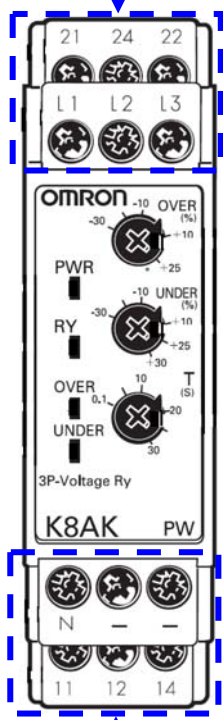
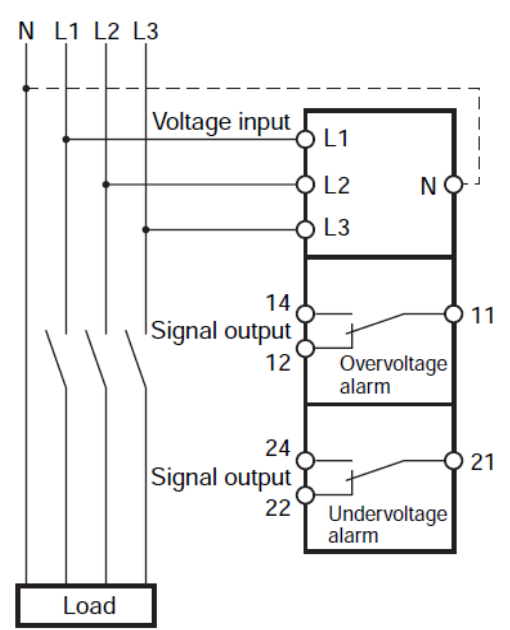
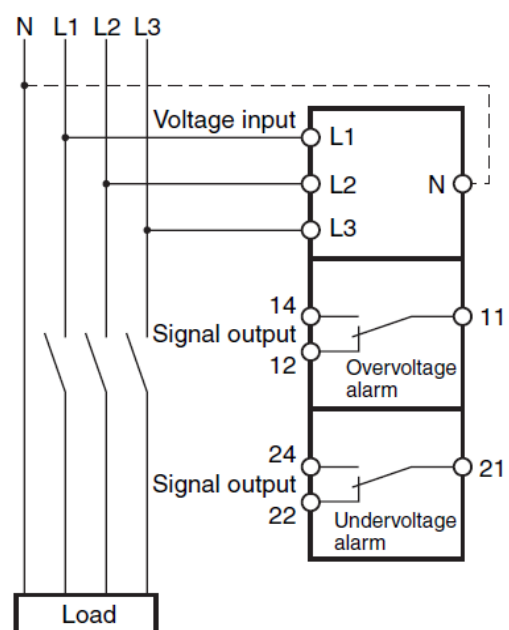
[Product Discontinuation and recommended replacement]

Product discontinuation	Recommended replacement
K8AB-PW1 200/240VAC	K8AK-PW1
K8AB-PW2 380/480VAC	K8AK-PW2

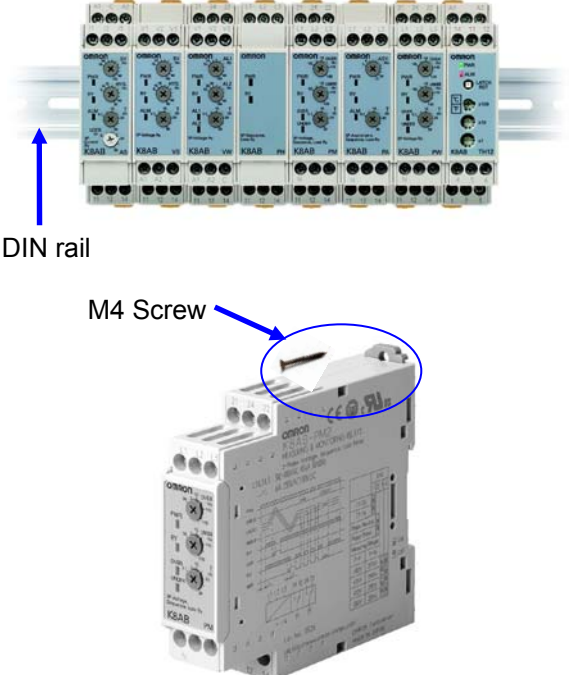

[Body color]

Product discontinuation	Recommendable replacement
Model K8AB-PW[]	Model K8AK-PW[]
Body color Munsell 5Y8/1 	Body color Munsell N1.5 

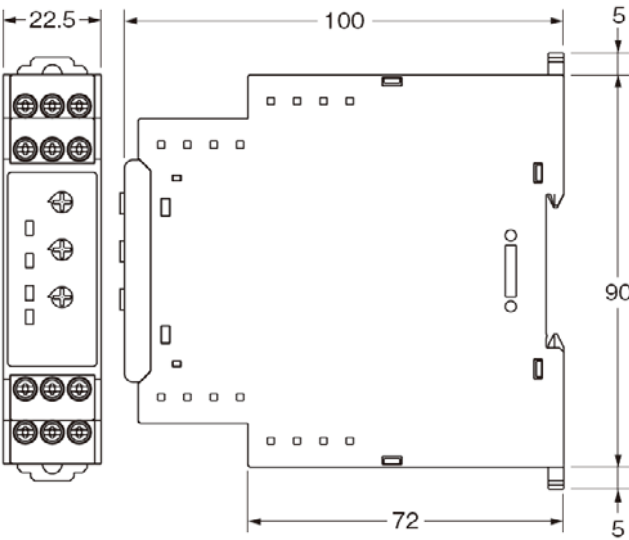
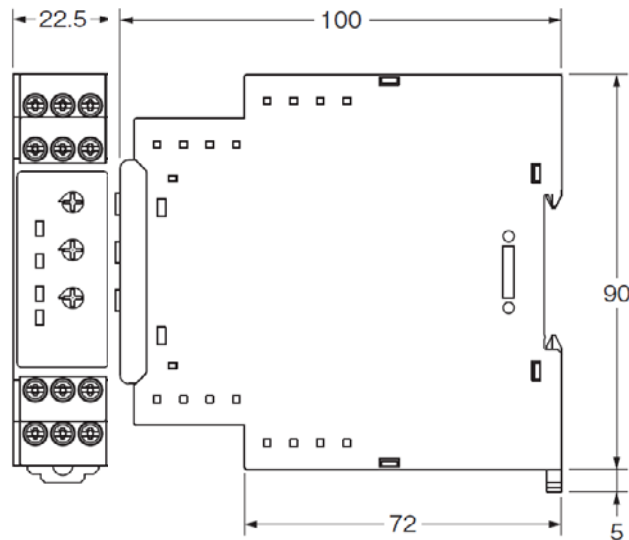
[Wire connection]

Product discontinuation	Recommendable replacement
Model K8AB-PW[]	Model K8AK-PW[]
<p>Terminal layout</p> <p>Terminal layout diagram</p> <p>21 24 22 L1 L2 L3</p>  <p>N 11 12 14</p>	<p>Terminal layout</p> <p>Terminal layout diagram</p> <p>21 24 22 L1 L2 L3</p>  <p>N 11 12 14</p>
<p>Wiring connection</p> 	<p>Wiring connection</p> 

[Mounting dimensions]

Product discontinuation	Recommendable replacement
<p align="center">Model K8AB-PW[]</p>	<p align="center">Model K8AK-PW[]</p>
<p>Installation method DIN rail or M4 screw</p>  <p>DIN rail</p> <p>M4 Screw</p>	<p>Installation method DIN rail Screw cannot be used.</p>  <p>DIN rail</p>

[Dimensions]

Product discontinuation	Recommendable replacement
<p align="center">Model K8AB-PW[]</p>	<p align="center">Model K8AK-PW[]</p>
<p>Dimensions</p> 	<p>Dimensions</p> 

[Characteristics]

Item	Product discontinuation	Recommendable replacement
	Model K8AB-PW[]	Model K8AK-PW[]
Input load	K8AB-PW1: 25 VA max. K8AB-PW2: 45 VA max.	K8AK-PW1: 4.4 VA max. K8AK-PW2: 4.4 VA max.
Output relay ratings	Rated load Resistive load 6 A at 250 VAC 6 A at 30 VDC Maximum contact voltage: 250 VAC Maximum contact current: 6 A AC Maximum switching capacity: 1,500 VA Minimum load: 10 mA at 5 VDC Mechanical life: 10 million operations Electrical life: Make: 50,000 times, Break: 30,000 times	Rated load Resistive load 5 A to 250 VAC 5 A to 30 VDC Maximum contact voltage: 250 VAC or 30 VDC Maximum contact current: 5A AC Maximum switching capacity: 1,250 VA, 150 W Mechanical life: 10 million operations min. Electrical life: 5 A at 250 VAC or 30 VDC: 50,000 operations 3 A at 250 VAC or 30 VDC: 100,000 operations
Storage temperature	-40 to 70°C (with no condensation or icing)	-25 to 65°C (with no condensation or icing)
Case material	ABS resin (self-extinguishing resin) UL94-V0	PC and ABS
Weight	Approx. 130 g	Approx. 150 g
Repeat accuracy	Operating value: ± 2% Reset value: Overvoltage: Operating value × 95% ±2% Under voltage: Operating value × 105% ±2% Operating time repeat error: ±50 ms	Operating value: ±0.5% full scale (at 25°C and 65% humidity, rated power supply voltage, 50/60 Hz sine wave input) Operating time: ±50ms (at 25°C and 65% humidity, rated power supply voltage)
Conforming standards	EN60255-5, EN60255-6 Installation environment (Pollution degree 2, overvoltage category III)	EN60947-5-1 Installation environment (Pollution degree 2, overvoltage category III)
EMC	EN61326	EN60947-5-1
Safety standards	UL508	UL 508 (Recognition), Korean Radio Waves Act (Act 10564), CSA: CAN/CSA C22.2 No.14, CCC: GB14048.5
Shock resistance	100 m/s ² , 3 times in 6 directions along 3 axes	150 m/s ² , 3 times each in 6 directions along 3 axes However, 100m/s ² for relay contacts.

[Operation methods]

Product discontinuation	Recommendable replacement
Model K8AB-PW[]	Model K8AK-PW[]
<div style="border: 1px solid black; padding: 10px; margin: 0 auto; width: 80%;"> There is no change in operation method and LED display color. </div>	

Specifications and prices in this product news are as of the issue date and are subject to change without notice. Only main changes in specifications are described in this document. Please be sure to read the relevant catalogs, datasheets, product specifications, instructions, and manuals for precautions and necessary information when using products.